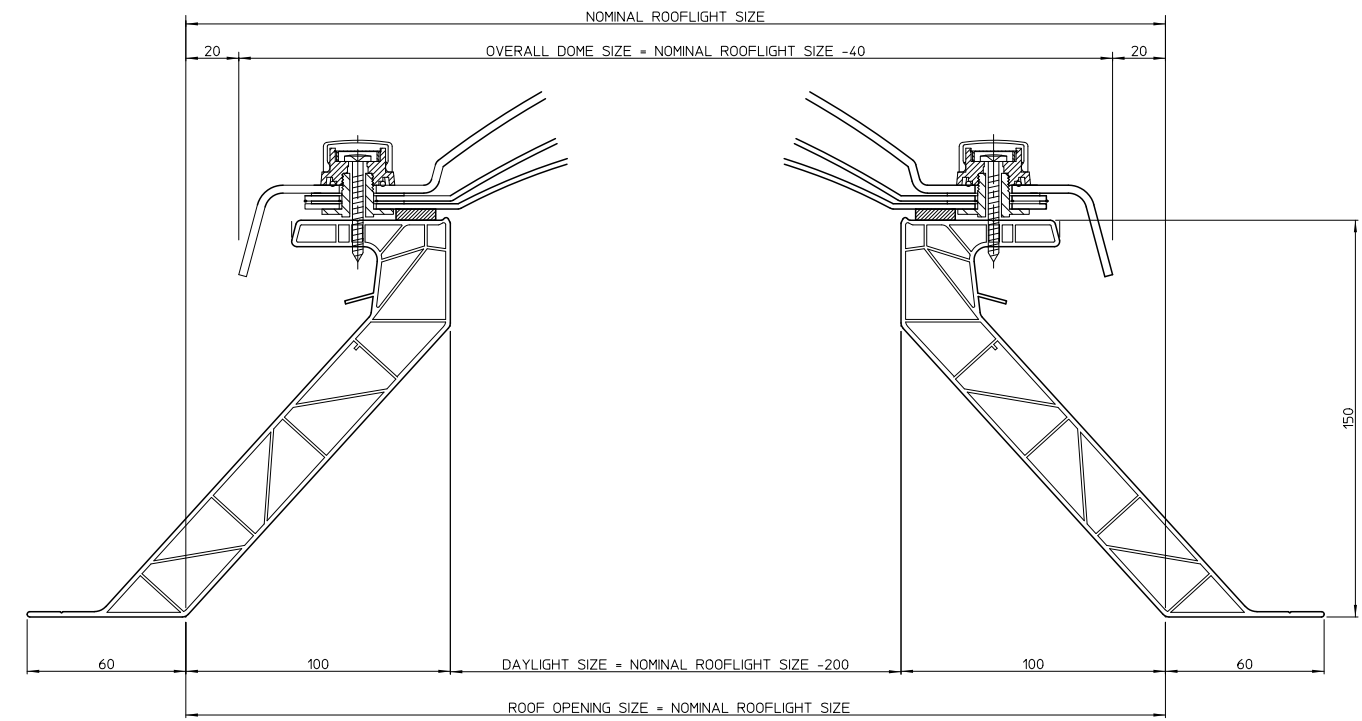


PLAN Scale 1/4



PART SECTION A-A Scale 1/1

STANDARD SIZES
FOR FULL RANGE SEE SPEC SHEET

1200 x 900
1200 x 600
1200 x 1200
1050 x 1050
900 x 900
750 x 750
600 x 600
NOMINAL ROOFLIGHT SIZE

THIS DRAWING MUST NOT BE COPIED OR PASSED TO A THIRD PARTY WITHOUT WRITTEN CONSENT FROM ROOFLIGHTS AND GLAZING LIMITED.	CHECKED	TOLERANCE UNLESS OTHERWISE STATED	MATERIAL POLYCARBONATE GLAZING UPVC UPSTAND		Unit 5, Ironbridge Industrial Estate, 397 Rofford Road, Sheffield, South Yorkshire, S13 9WA Tel: 0114 408 1000 • Fax: 0114 238 5511 • E-mail: sales@roofightsandglazing.co.uk	ROOFLIGHTS & GLAZING UK LTD	
	DATE	±1					
	DRAWN	DIMENSIONS IN		FINISH			
	DATE	mm		WHITE			
	SCALE	1/2			TITLE		
					TRIPLE SKIN OUTLOOK ON 150mm UPVC UPSTAND		
						QUOTE N°	
						DRAWING N°	
						REV	
						RG-100-104	