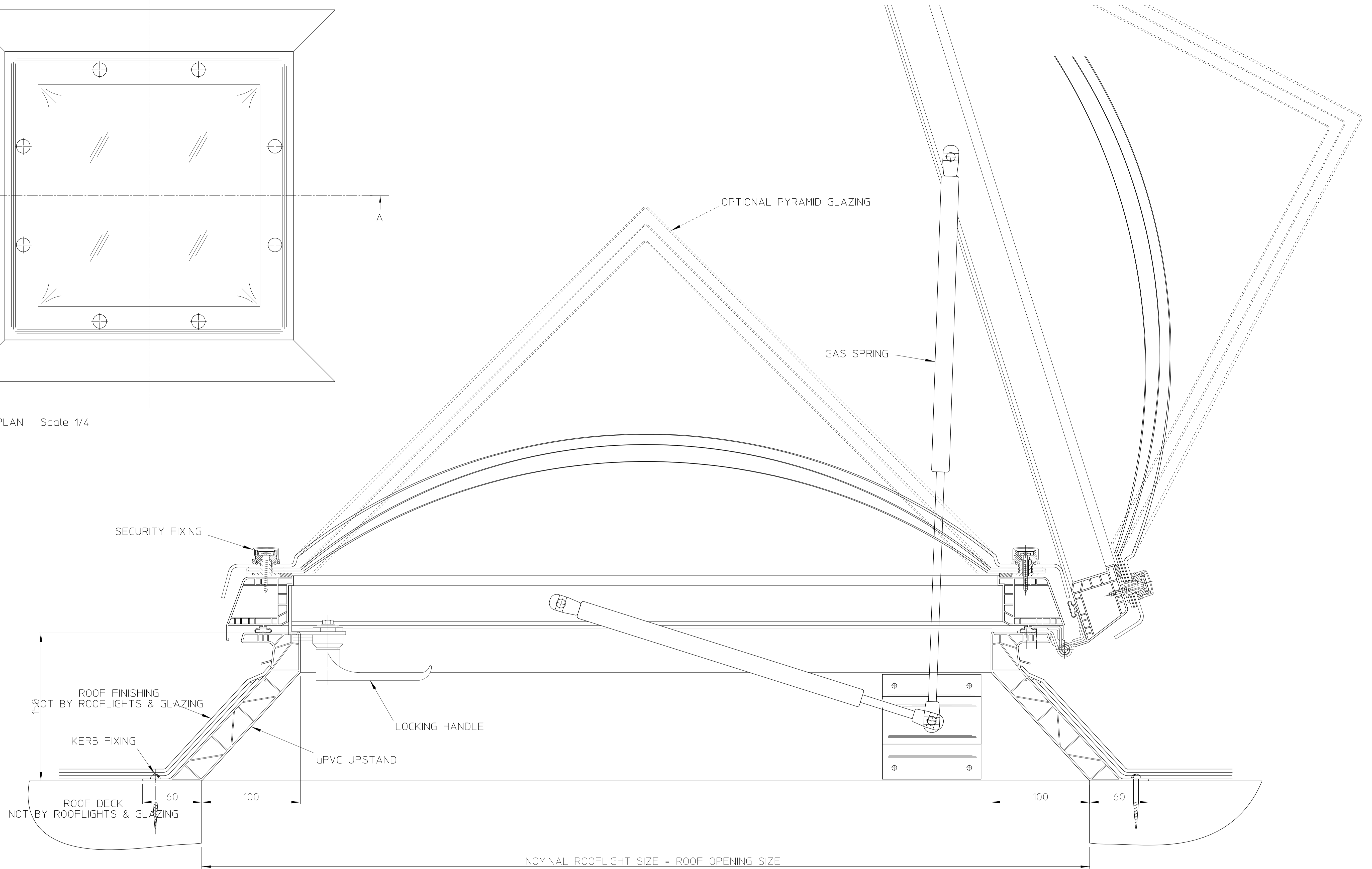


PLAN Scale 1/4



SECTION A-A

THIS DRAWING MUST NOT BE COPIED OR PASSED TO A THIRD PARTY WITHOUT WRITTEN CONSENT FROM ROOFLIGHTS AND GLAZING LIMITED.

CHECKED  
DATE  
DRAWN R. PADDICK  
DATE 15-Jan-2010

TOLERANCE UNLESS OTHERWISE STATED ±1  
DIMENSIONS IN mm  
SCALE 1/2

MATERIAL POLYCARBONATE GLAZING  
uPVC UPSTAND  
FINISH WHITE

REV	AMENDMENTS	SIGNED	CHECKED	DATE

Rooflights and Glazing (UK) Limited,  
62 Hannah Road, Sheffield, South Yorkshire S13 7RU  
Telephone 0114 254 8815. Fax 0114 238 5511.  
E-mail sales@rooflightsandglazing.co.uk

**ROOFLIGHTS & GLAZING**

TITLE: TRIPLE SKIN OUTLOOK ACCESS HATCH ON 150mm uPVC UPSTAND

QUOTE N<sup>o</sup>. A1

DRAWING N<sup>o</sup>. REV RG-100-107