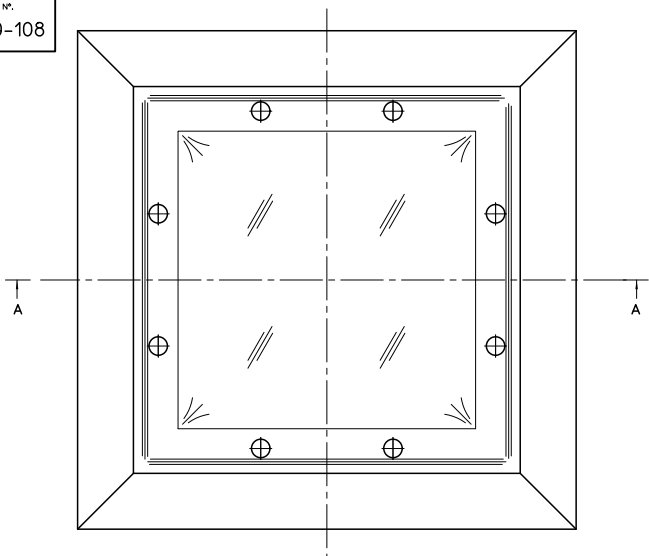
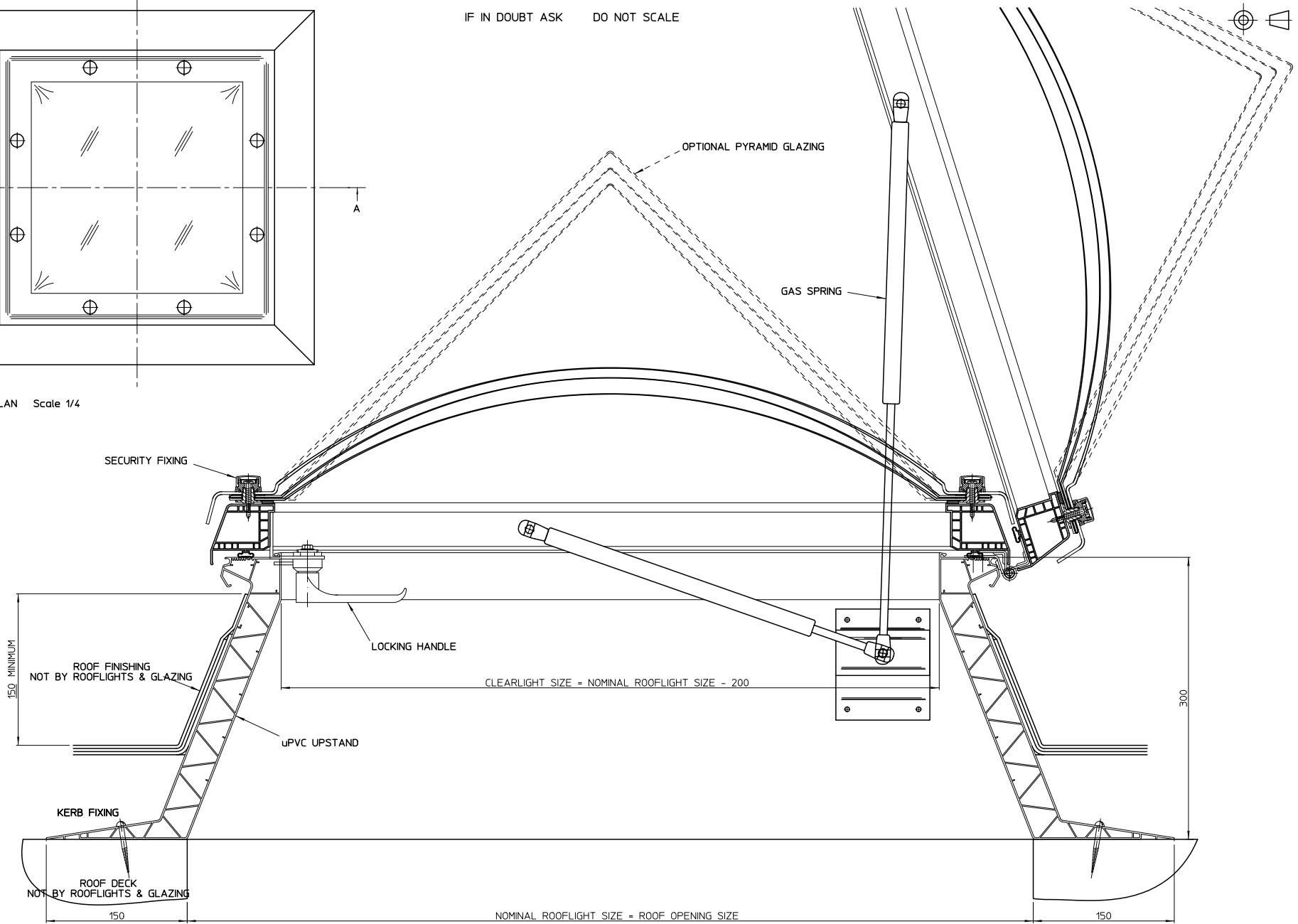


IF IN DOUBT ASK DO NOT SCALE



PLAN Scale 1/4



SECTION A-A

THIS DRAWING MUST NOT BE COPIED OR PASSED TO A THIRD PARTY WITHOUT WRITTEN CONSENT FROM ROOFLIGHTS AND GLAZING LIMITED.	CHECKED	TOLERANCE UNLESS OTHERWISE STATED	±1	MATERIAL	POLYCARBONATE GLAZING	Unit 5, Ironbridge Industrial Estate, 397 Retford Road, Sheffield, South Yorkshire, S13 9WA Tel: 0114 408 1000 • Fax: 0114 238 5511 • E-mail: sales@roofightsandglazing.co.uk				<b>ROOFLIGHTS &amp; GLAZING UK LTD</b>	
	DATE	DIMENSIONS IN	mm	FINISH	WHITE	TITLE: TRIPLE SKIN OUTLOOK ACCESS HATCH ON 300mm UPVC UPSTAND					
	DRAWN	SCALE	1/2	REV	AMENDMENTS	SIGNED	CHECKED	DATE	QUOTE NO.		A1
	DATE	17-Sep-2009							DRAWING NO.		RG-100-108