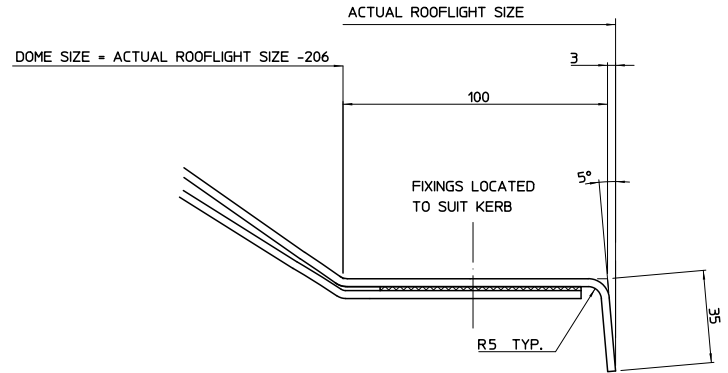
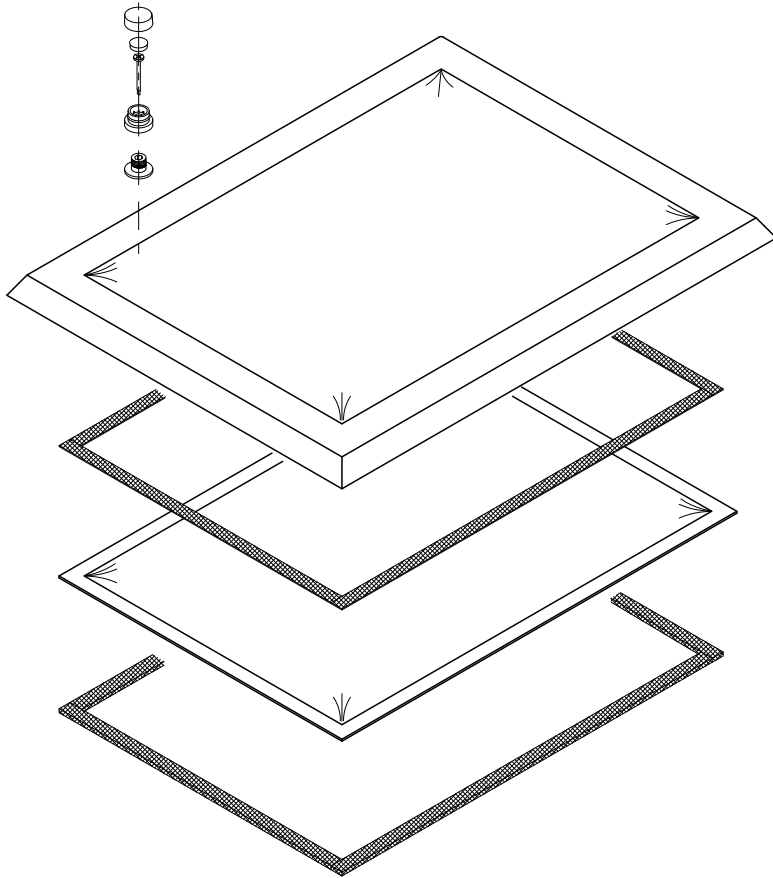
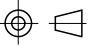


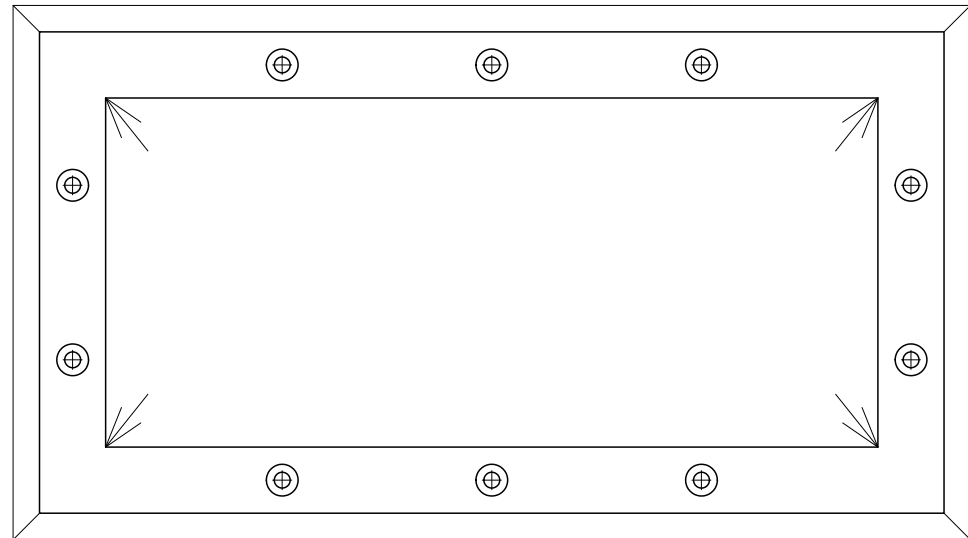
DRAWING NO.  
RG-46000

IF IN DOUBT ASK DO NOT SCALE



ASSEMBLED SECTION THROUGH DOME  
DIMENSIONS ARE REFERENCE ONLY  
TRIPLE AND QUADRUPLE SKIN ALSO AVAILABLE

Scale 1/1



PLAN VIEW  
NTS

THIS DRAWING MUST NOT BE COPIED OR PASSED TO A THIRD PARTY WITHOUT WRITTEN CONSENT FROM ROOFLIGHTS AND GLAZING LIMITED.	CHECKED	TOLERANCE UNLESS OTHERWISE STATED ±1	MATERIAL	AS ORDER				Unit 5, Ironbridge Industrial Estate, 397 Retford Road, Sheffield, South Yorkshire, S13 9WA Tel: 0114 408 1000 • Fax: 0114 238 5511 • E-mail: sales@roofightsandglazing.co.uk	<b>ROOFLIGHTS &amp; GLAZING UK LTD</b>	
	DATE	DIMENSIONS IN	FINISH	CLEAN AND SCRATCH FREE						
	DRAWN D. PUGH	mm	SCALE	1/2						TITLE: FLANGED GLAZING ASSEMBLY DOUBLE SKIN RETROFIX
DATE 7-12-2011				REV	AMENDMENTS	SIGNED	CHECKED	DATE		