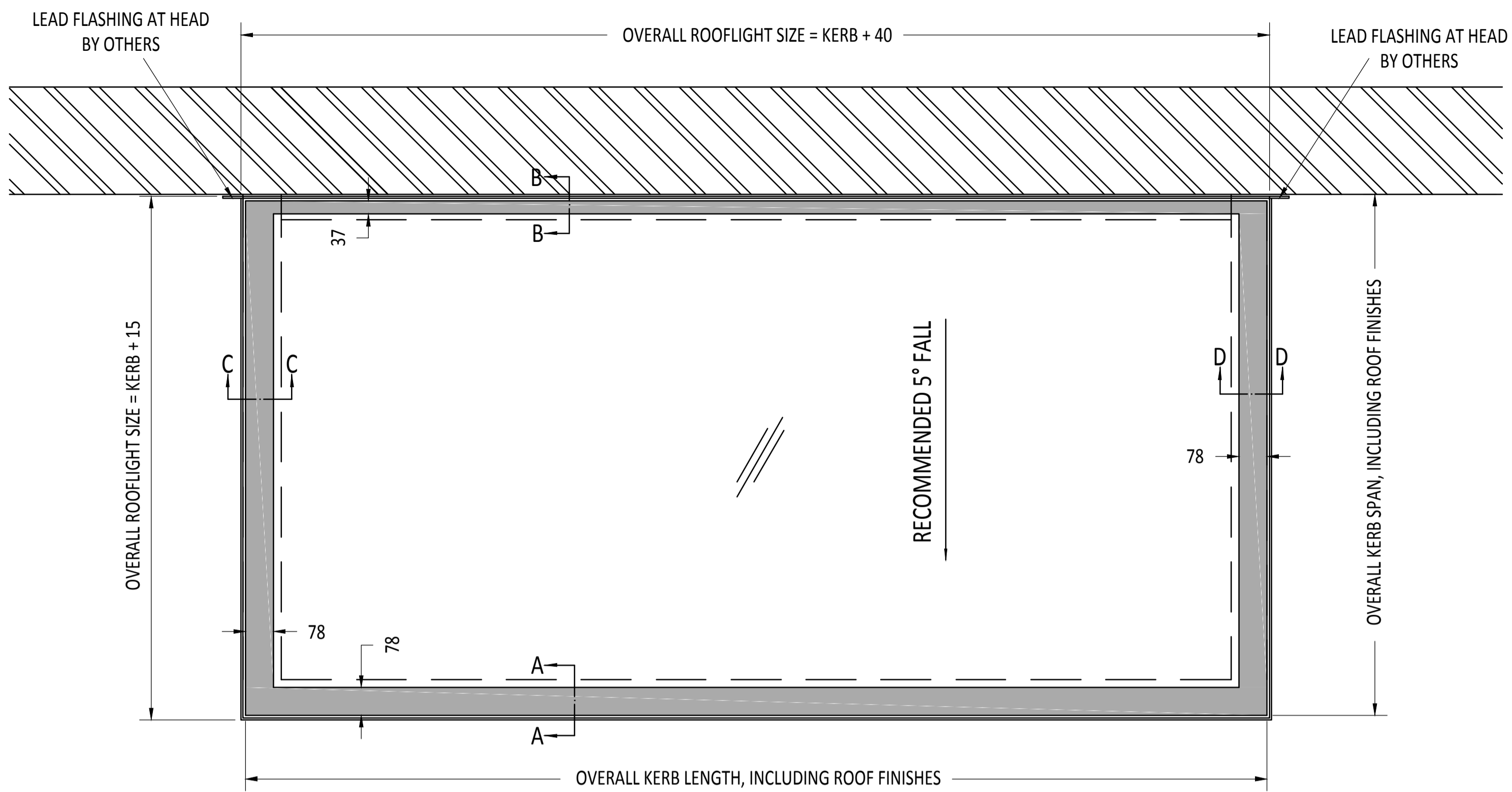


**CDM :HAZARD IDENTIFICATION - HANDLING MATERIALS**

BE AWARE OF SHARP EDGES AND CORNERS WHEN HANDLING MATERIALS. MOST EDGES AND CORNERS WILL BE DEBURRDED BUT THERE IS STILL A SMALL RISK. WEAR APPROPRIATE PPE REQUIRED FOR THE TASK. THE MHOR 1992 SET OUT A CLEAR RANKING OF MEASURES FOR DEALING WITH RISKS FROM MANUAL HANDLING. THESE ARE:

- FIRST** - AVOID HAZARDOUS MANUAL HANDLING OPERATIONS SO FAR AS IS REASONABLY PRACTICABLE;
- SECOND** - ASSESS ANY HAZARDOUS MANUAL HANDLING OPERATIONS THAT CANNOT BE AVOIDED; AND
- THIRD** - REDUCE THE RISK OF INJURY SO FAR AS IS REASONABLY PRACTICABLE.

HAND PROTECTION (MANDATORY) TO: BS EN 388:1994  
ROOFLIGHTS MUST ONLY BE INSTALLED BY COMPETENT CONTRACTORS.  
DANGER OF DAMAGING GLASS IF IT IS WALKED UPON. GLASS IS CLASSED AS NON-FRAGILE BUT SHOULD NOT BE WALKED ON. USE SPREADER BOARDS.  
REFER TO RISK ASSESSMENT FOR FURTHER DETAILS.



PLAN VIEW  
TRUE VIEW ON SLOPE

IF KERBS ARE MORE THAN 130mm THICK INCLUDING FINISHES, AN AIR CIRCULATION GAP MUST BE USED TO AVOID HEAT BUILD UP UNDER ANNEALED LAMINATED GLASS TO AVOID POSSIBLE THERMAL FRACTURE

**NOTES**

X No. REQUIRED

**GLAZING SPECIFICATION:**

OUTER SKIN: 6mm CLEAR TOUGHENED GLASS WITH SANDBLAST BORDER TO FACE 2 OR PAINT  
CAVITY: 16mm ARGON FILLED + WARM EDGE SPACER  
INNER SKIN: 6.8mm CLEAR LAMINATED GLASS OR 6mm HST TOUGHENED WITH LOW-E COATING TO CAVITY FACE  
SILICONE BONDED

ROOFLIGHT WEIGHT = 43 kg/m<sup>2</sup>

STANDARD DESIGN LOAD = 750 N/m<sup>2</sup>. (Please inform us if you require a higher load for wind etc.)

BORDER SHOWN AS STANDARD TO COVER GLAZING FRAME. OTHER DIMS AVAILABLE UPON REQUEST. PAINT OPTION AVAILABLE ON TOUGHENED INNER PANE DGU'S ONLY.

LIGHT TRANSMISSION = 78%

SOLAR G VALUE = 0.63

ACOUSTIC = 37 Rw dB Laminated or 35 Rw dB Toughened

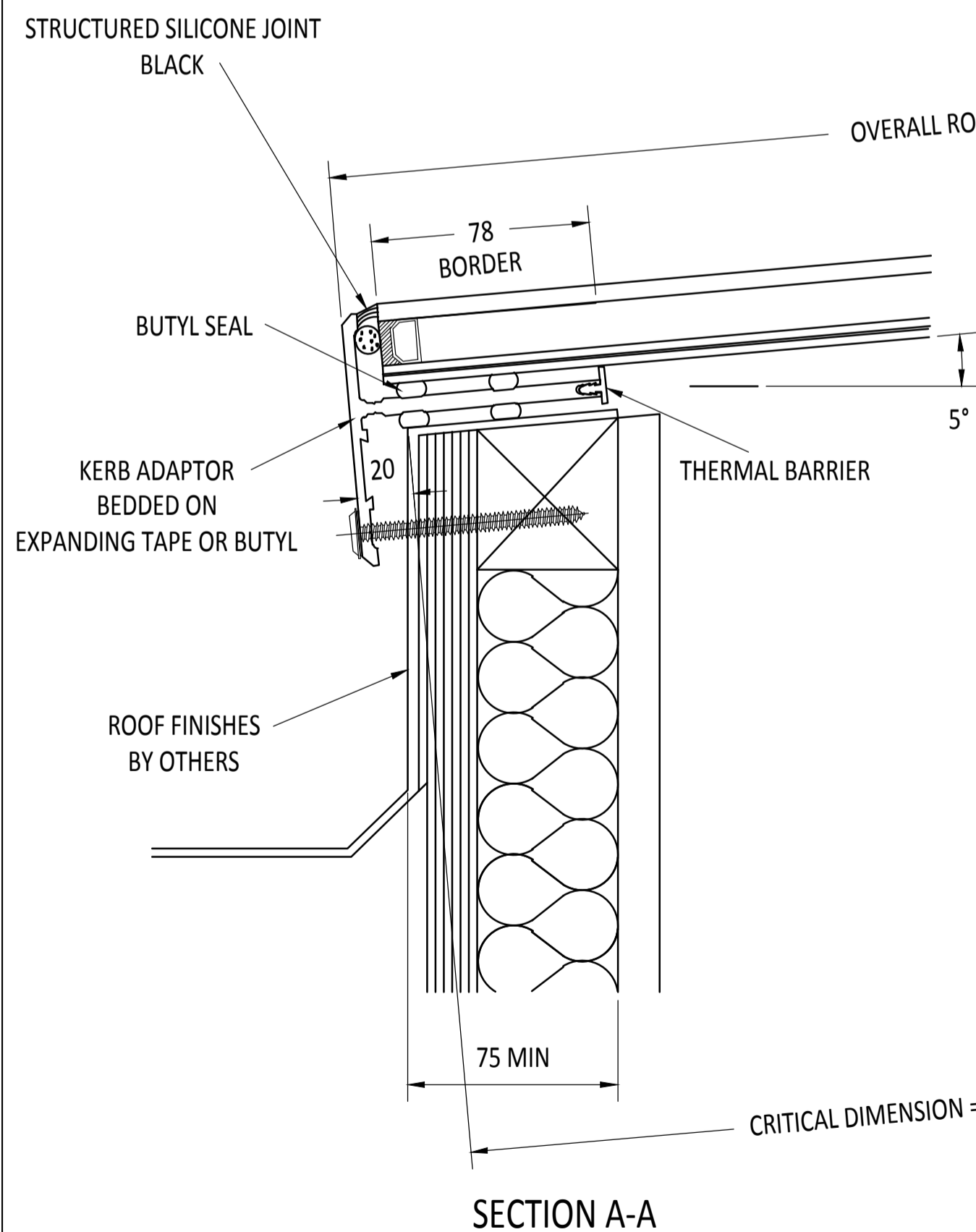
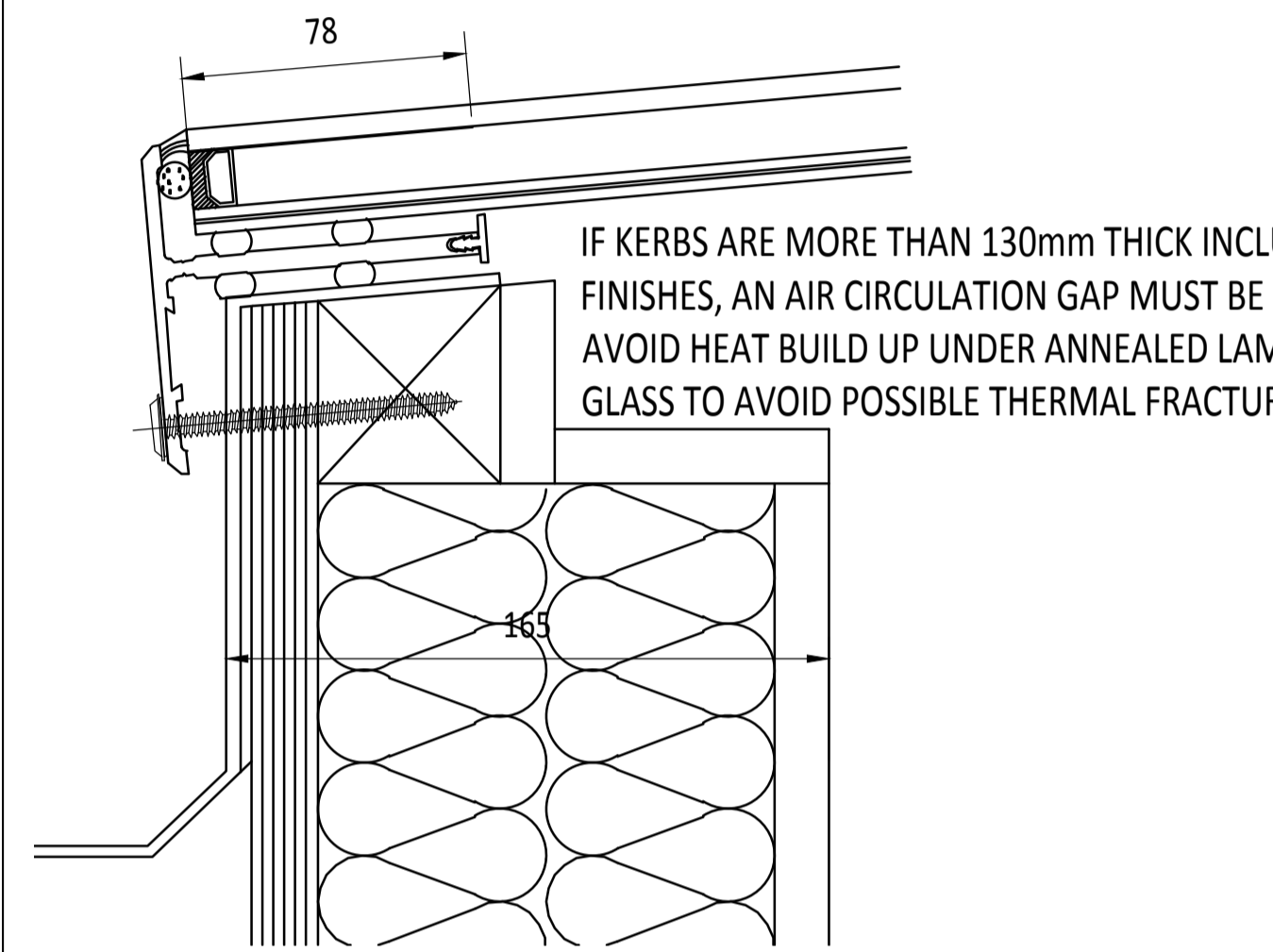
CENTRE PANE U VALUE = 1.1W/m<sup>2</sup>.K

PRODUCT U VALUE = AS LOW AS 1.3 W/m<sup>2</sup>.K

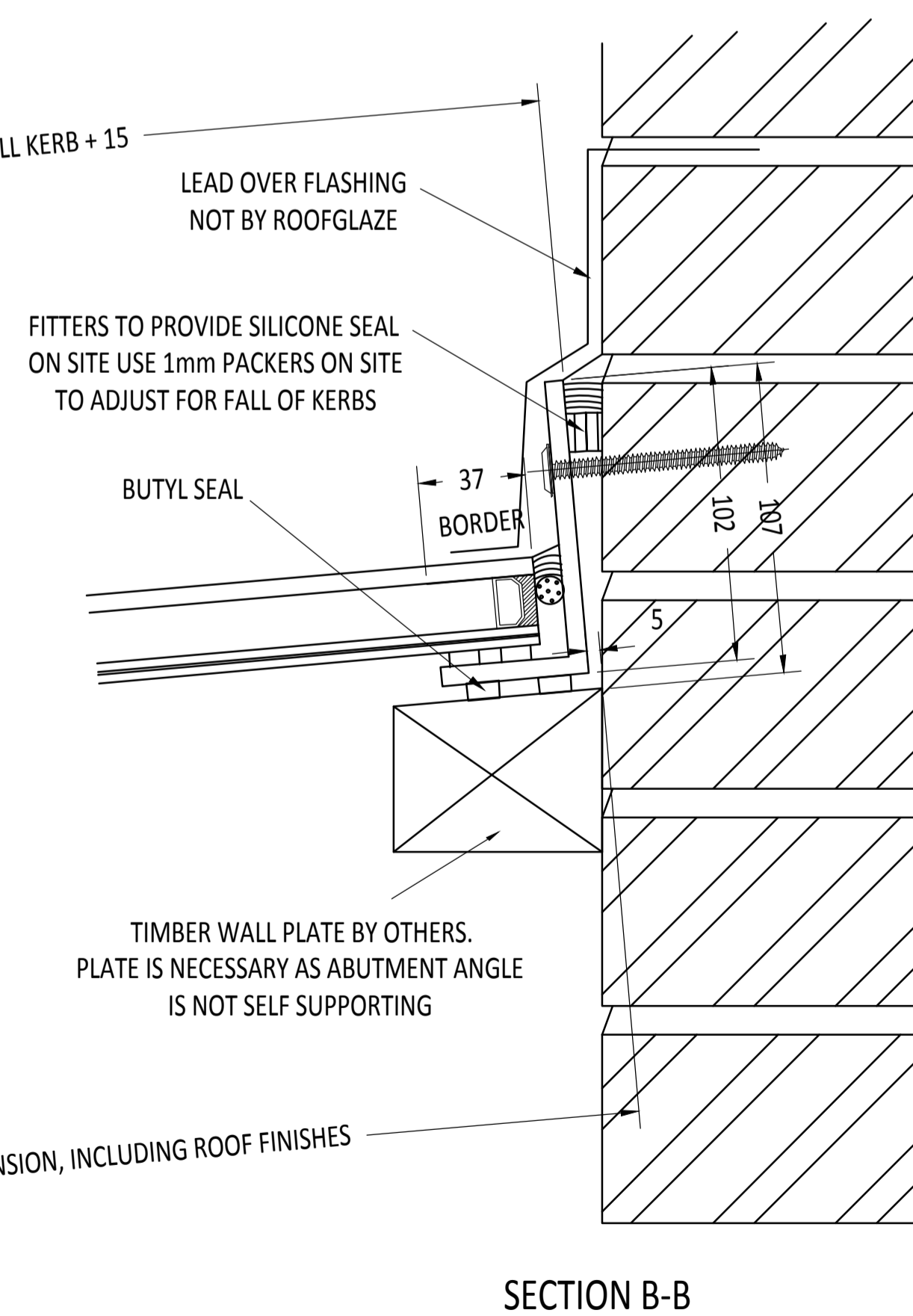
KERB DETAILS SHOWN INDICATIVE DETAILED DESIGN BY OTHERS.

DIMENSIONS SHOWN DOWN THE SLOPE.

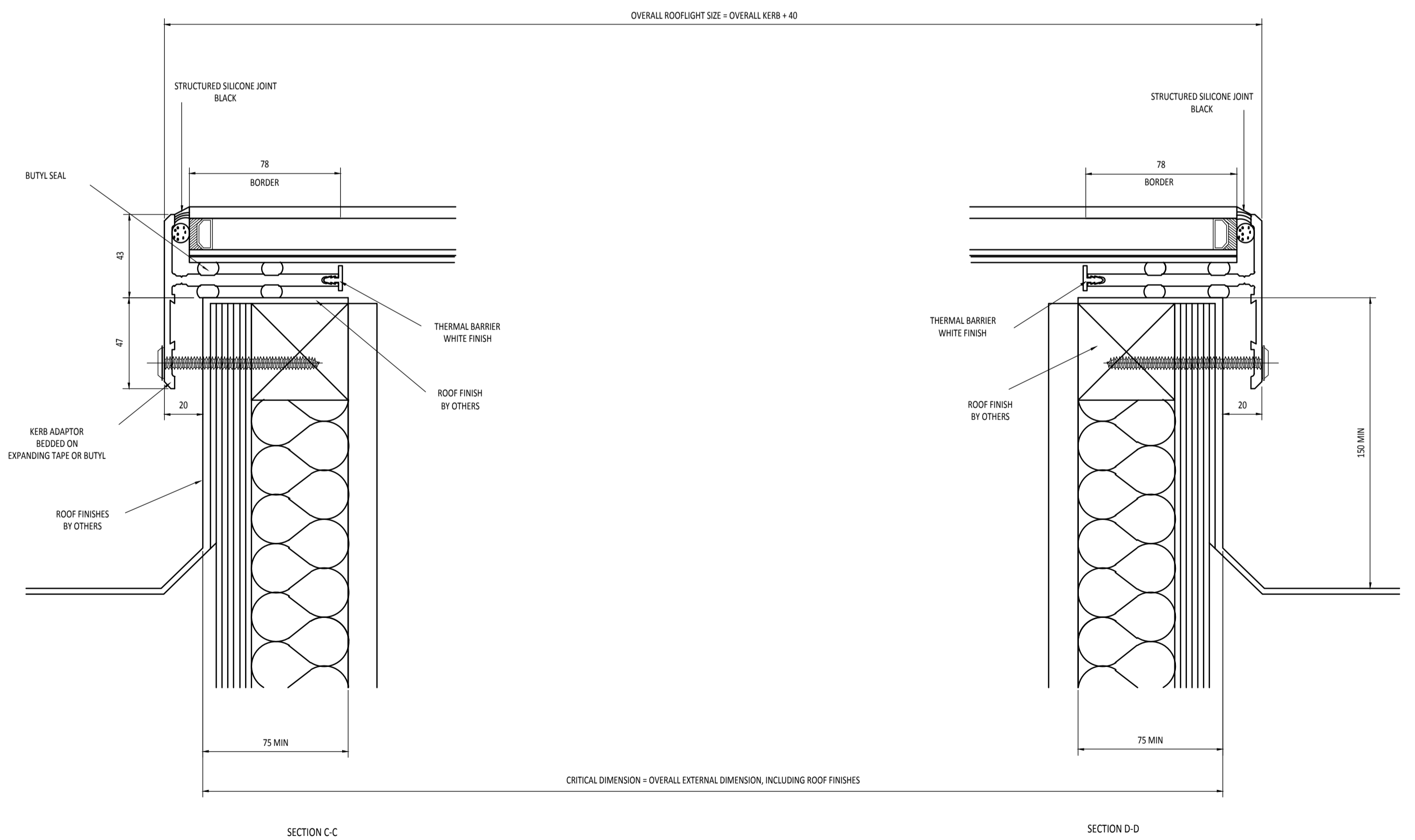
ALL FLASHING AGAINST WALLS BY OTHERS.



SECTION A-A



SECTION B-B



SECTION C-C

SECTION D-D

IF IN DOUBT ASK  
DO NOT SCALE

IT IS THE RESPONSIBILITY OF THE KERB DESIGNER TO ENSURE THE KERB WILL BE STRUCTURALLY ADEQUATE TO HOLD THE ROOFLIGHT. KERBS SHOWN ON R&G DRAWINGS ARE FOR ILLUSTRATION PURPOSES ONLY.

R&G would advise an installation with a minimum pitch of 5° for rooflight units to minimize water pooling. Whilst the product can be installed flat without detriment to the warranty, R&G cannot be held responsible for any excessive pooling of water to the surface of the rooflight post installation, if installed without an adequate fall.

THIS DRAWING MUST NOT BE COPIED OR PASSED TO A THIRD PARTY WITHOUT WRITTEN CONSENT FROM R&G LIMITED.

CHECKED  
DATE  
DRAWN  
D. PUGH  
DATE  
20-01-2016

TOLERANCE UNLESS OTHERWISE STATED ±5  
DIMENSIONS IN MM  
SCALE 1:5 & 1:3 @ A1

MATERIAL ALUMINIUM + GLASS  
FINISH POLYESTER POWDER COATING COLOUR T.B.C.

| REV | AMENDMENTS | SIGNED | CHECKED | DATE |
|-----|------------|--------|---------|------|
|     |            |        |         |      |
|     |            |        |         |      |
|     |            |        |         |      |

Rooflights and Glazing (UK) Limited,  
UNIT 5 IRONBRIDGE INDUSTRIAL STATE, 397 RETTFORD ROAD,  
SHEFFIELD, S13 9WA, Telephone 0114 4081000, Fax 0114 2385611,  
E-mail sales@rooflightsandglazing.co.uk

TITLE: **FIXED DOUBLE GLAZED WALL ABUTTED  
FLATGLASS SINGLE PANE**

A1

DRAWING N°  
**RG-80-103**  
SHEET 1 OF 1

**ROOFLIGHTS & GLAZING**