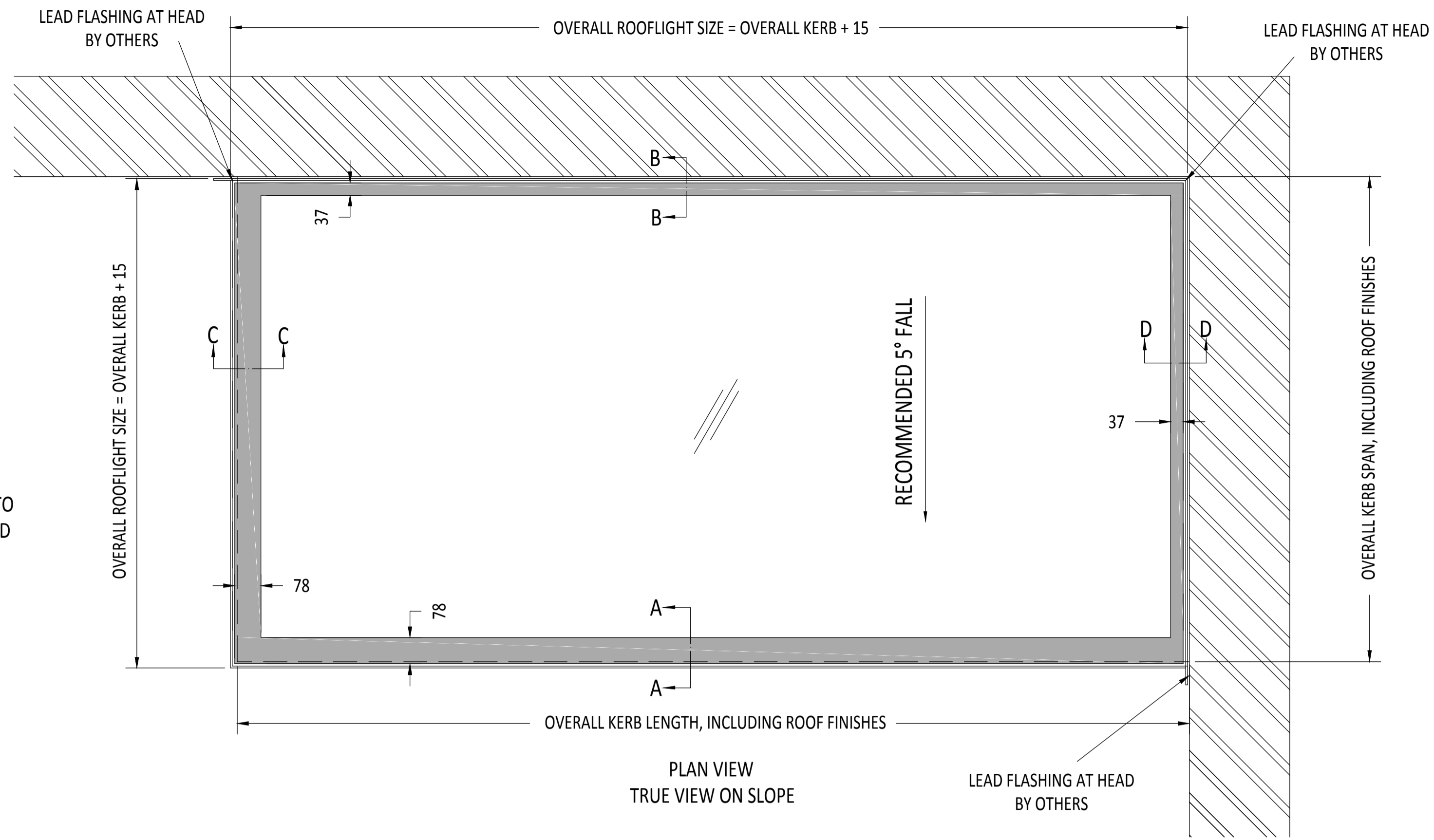
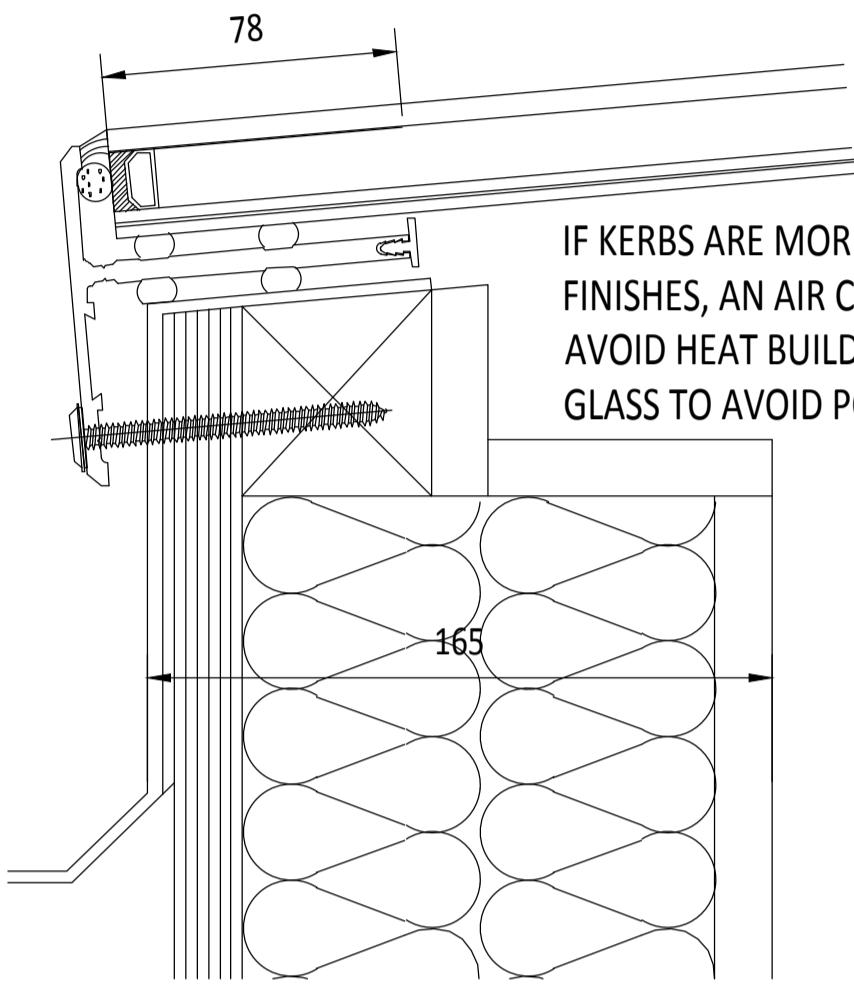


**CDM :HAZARD IDENTIFICATION - HANDLING MATERIALS**

BE AWARE OF SHARP EDGES AND CORNERS WHEN HANDLING MATERIALS. MOST EDGES AND CORNERS WILL BE DEBURRED BUT THERE IS STILL A SMALL RISK. WEAR APPROPRIATE PPE REQUIRED FOR THE TASK. THE MHOR 1992 SET OUT A CLEAR RANKING OF MEASURES FOR DEALING WITH RISKS FROM MANUAL HANDLING. THESE ARE:



- FIRST: AVOID HAZARDOUS MANUAL HANDLING OPERATIONS SO FAR AS IS REASONABLY PRACTICABLE;
  - SECOND: ASSESS ANY HAZARDOUS MANUAL HANDLING OPERATIONS THAT CANNOT BE AVOIDED; AND
  - THIRD: REDUCE THE RISK OF INJURY SO FAR AS IS REASONABLY PRACTICABLE.
- HAND PROTECTION (MANDATORY) TO: BS EN 388:1994.  
ROOFLIGHTS MUST ONLY BE INSTALLED BY COMPETENT CONTRACTORS.  
DANGER OF DAMAGING GLASS IF IT IS WALKED UPON. GLASS IS CLASSED AS NON-FRAGILE BUT SHOULD NOT BE WALKED ON. USE SPREADER BOARDS.  
REFER TO RISK ASSESSMENT FOR FURTHER DETAILS.



**NOTES**

X No. REQUIRED

**GLAZING SPECIFICATION:**

OUTER SKIN: 6mm CLEAR TOUGHENED GLASS  
WITH SANDBLAST BORDER TO FACE 2 OR PAINT  
CAVITY: 16mm ARGON FILLED + WARM EDGE SPACER  
INNER SKIN: 6.8mm CLEAR LAMINATED GLASS OR 6mm HST  
TOUGHENED WITH LOW-E COATING TO CAVITY FACE  
SILICONE BONDED

ROOFLIGHT WEIGHT = 43 kg/m<sup>2</sup>

STANDARD DESIGN LOAD = 750 N/m<sup>2</sup>. (Please inform us if you require a higher load for wind etc.)

BORDER SHOWN AS STANDARD TO COVER GLAZING FRAME.  
OTHER DIMS AVAILABLE UPON REQUEST. PAINT OPTION AVAILABLE ON TOUGHENED INNER PANE DGU'S ONLY.

LIGHT TRANSMISSION = 78%

SOLAR G VALUE = 0.63

ACOUSTIC = 37 Rw dB Laminated or 35 Rw dB Toughened

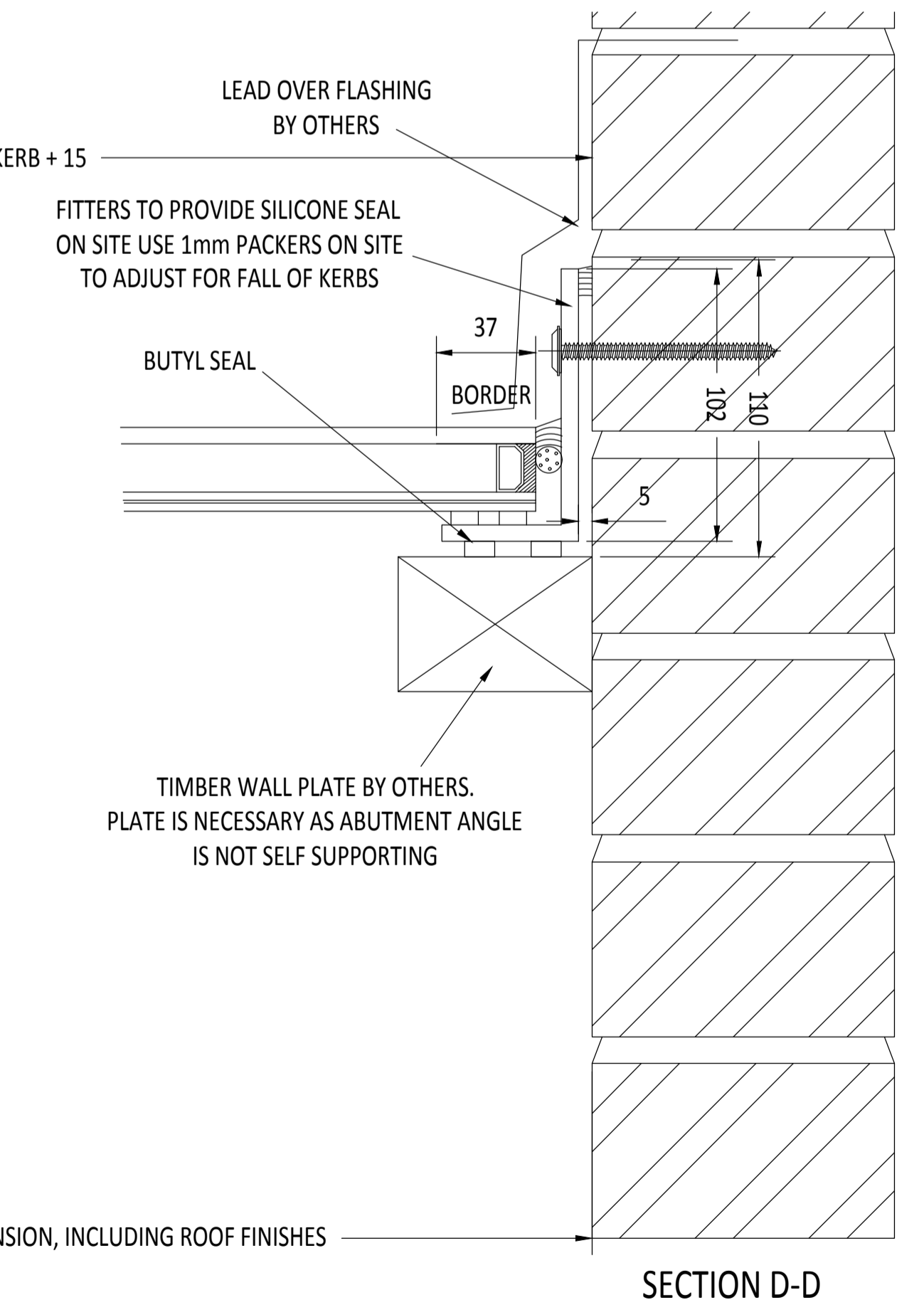
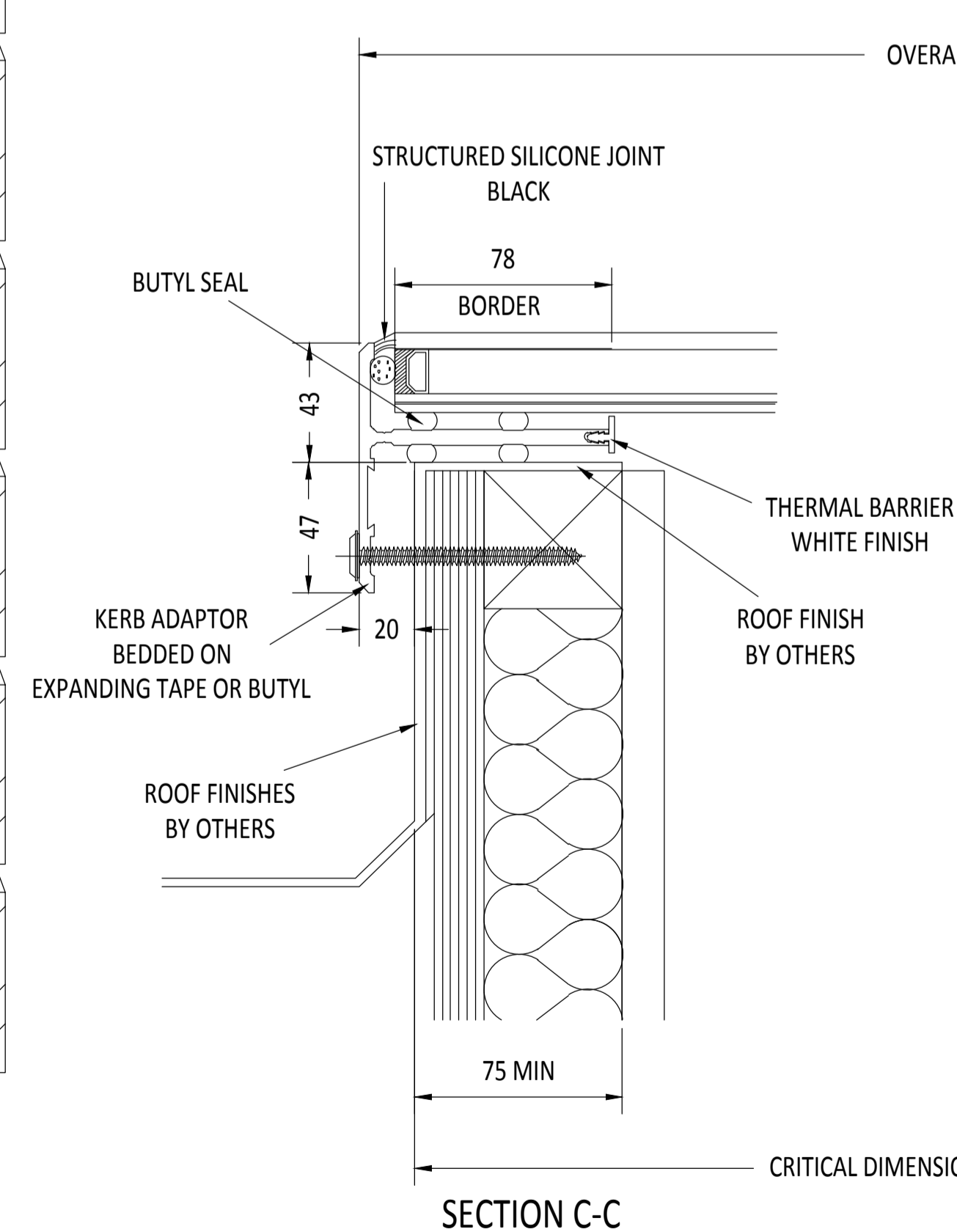
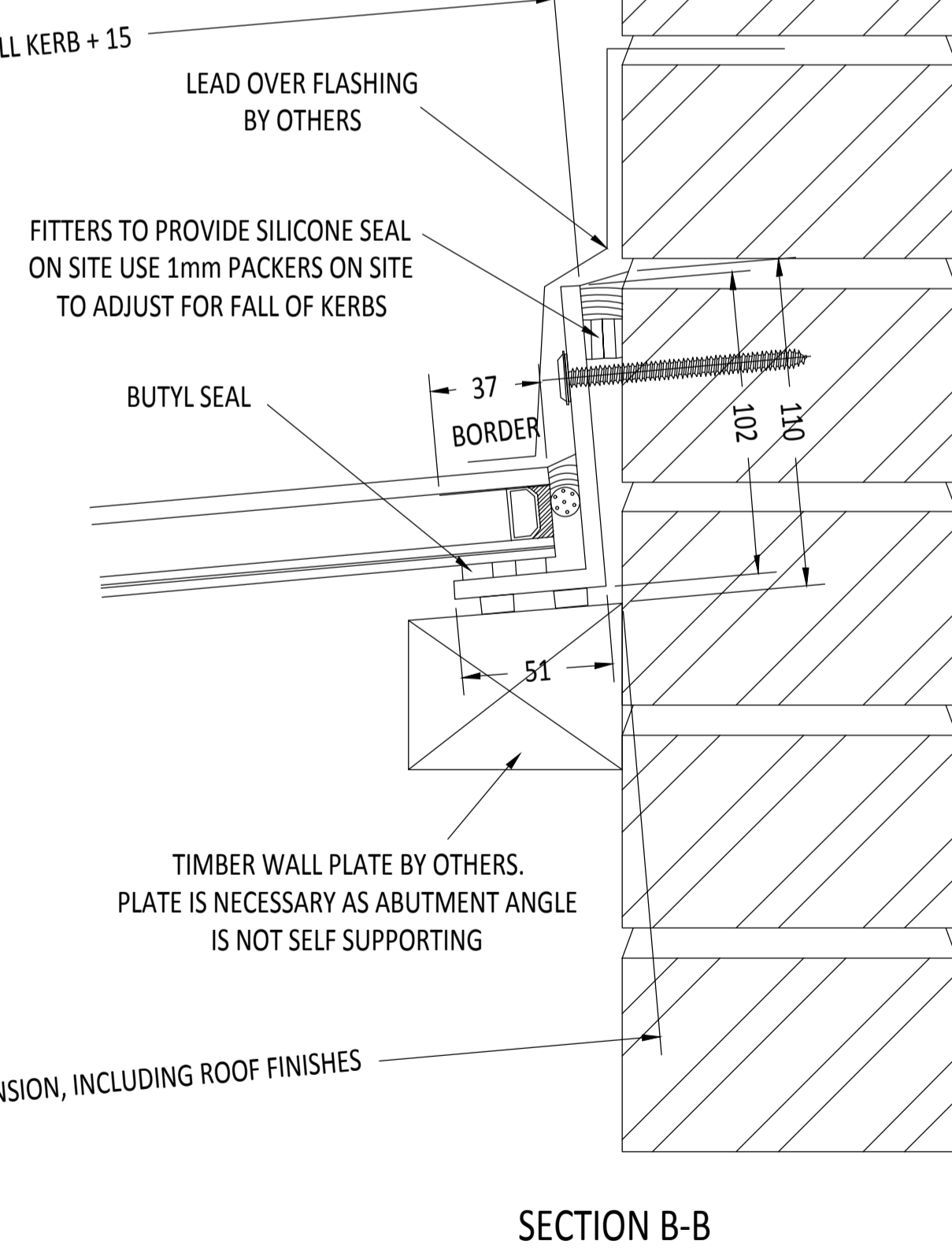
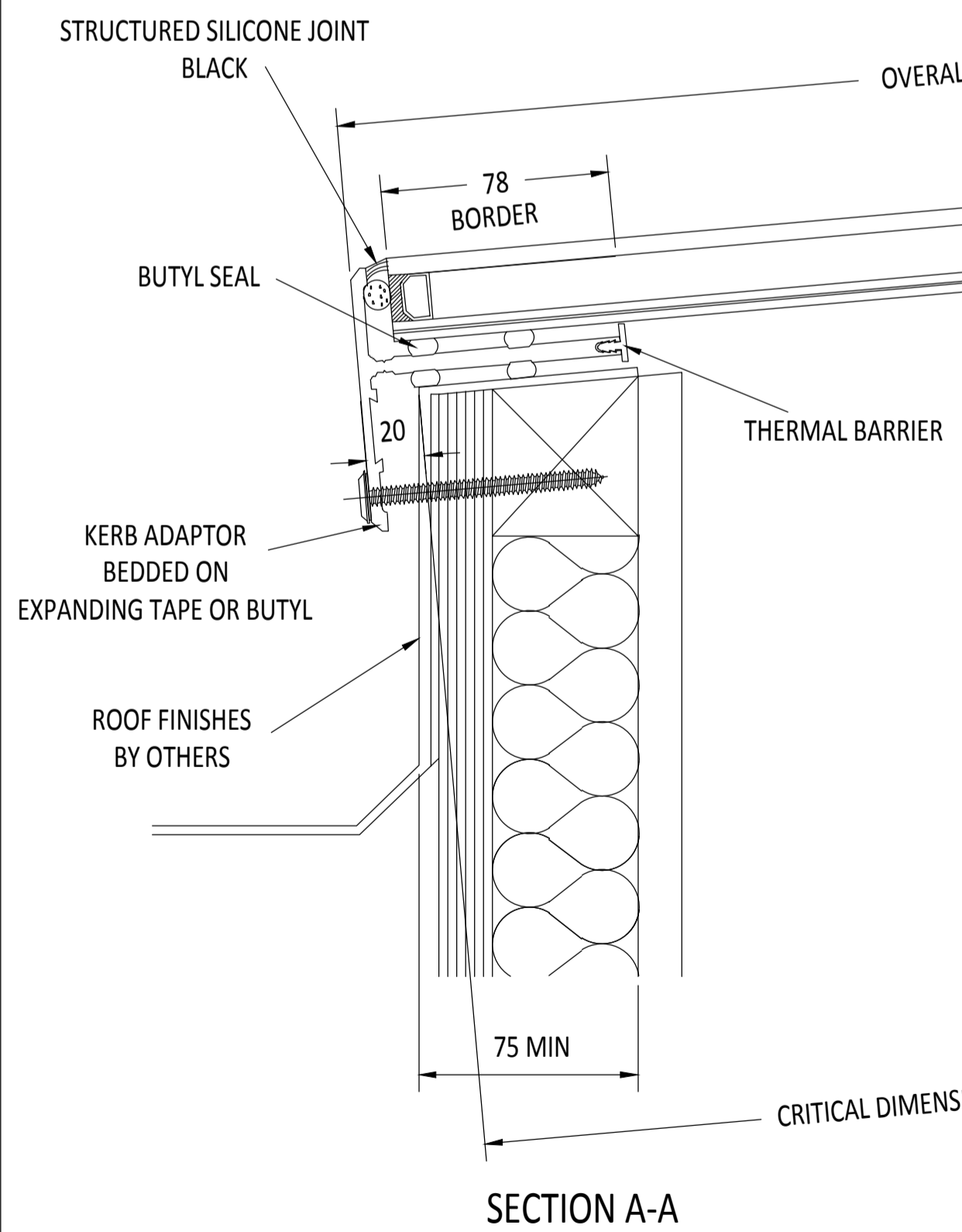
CENTRE PANE U VALUE = 1.1W/m<sup>2</sup>.K

PRODUCT U VALUE = AS LOW AS 1.3 W/m<sup>2</sup>.K

KERB DETAILS SHOWN INDICATIVE DETAILED DESIGN BY OTHERS.

DIMENSIONS SHOWN DOWN THE SLOPE.

ALL FLASHING AGAINST WALLS BY OTHERS.



IF IN DOUBT ASK  
DO NOT SCALE

IT IS THE RESPONSIBILITY OF THE KERB DESIGNER TO ENSURE THE KERB WILL BE STRUCTURALLY ADEQUATE TO HOLD THE ROOFLIGHT. KERBS SHOWN ON R&G DRAWINGS ARE FOR ILLUSTRATION PURPOSES ONLY.

R&G would advise an installation with a minimum pitch of 5° for rooflight units to minimize water pooling. Whilst the product can be installed flat without detriment to the warrantee, R&G cannot be held responsible for any excessive pooling of water to the surface of the rooflight post installation, if installed without an adequate fall.

THIS DRAWING MUST NOT BE COPIED OR PASSED TO A THIRD PARTY WITHOUT WRITTEN CONSENT FROM R&G LIMITED.

CHECKED	DATE	DATE
D. PUGH	20-01-2016	

TOLERANCE UNLESS OTHERWISE STATED	±5
DIMENSIONS IN	MM
SCALE	1:2 & 1:11 @ A1

MATERIAL	ALUMINIUM + GLASS
FINISH	POLYESTER POWDER COATING COLOUR T.B.C.

REV	AMENDMENTS	SIGNED	CHECKED	DATE

Rooflights and Glazing (UK) Limited.  
UNIT 5 IRONBRIDGE INDUSTRIAL STATE, 397 RETFORD ROAD,  
SHEFFIELD, S13 9JAL Telephone 0114 4081000. Fax 0114 2385511.  
E-mail sales@rooflightsandglazing.co.uk

TITLE: **FIXED DOUBLE GLAZED WALL ABUTTED  
FLATGLASS SINGLE PANE**

**ROOFLIGHTS & GLAZING**

A1  
DRAWING N°: **RG-80-104**  
SHEET 1 OF 1