

**NOTES**

X No. REQUIRED

**GLAZING SPECIFICATION:**

OUTER SKIN: 6mm CLEAR TOUGHENED GLASS  
WITH SANDBLAST BORDER TO FACE 2 OR PAINT  
CAVITY: 16mm ARGON FILLED + WARM EDGE SPACER  
INNER SKIN: 6.8mm CLEAR LAMINATED OR 6mm HST TOUGHENED  
GLASS WITH LOW-E COATING TO CAVITY FACE  
SILICONE BONDED

ROOFLIGHT WEIGHT = 48 kg/m<sup>2</sup>

STANDARD DESIGN LOAD = 750 N/m<sup>2</sup>. (Please inform us if you require a higher load for wind etc.)

BORDER SHOWN AS STANDARD TO COVER GLAZING FRAME.  
OTHER DIMS AVAILABLE UPON REQUEST. PAINT OPTION AVAILABLE ON TOUGHENED TOUGHENED DGU'S ONLY.

LIGHT TRANSMISSION = 78%

SOLAR G VALUE = 0.63

ACOUSTIC = 37 Rw dB Laminated or 35 Rw dB Toughened

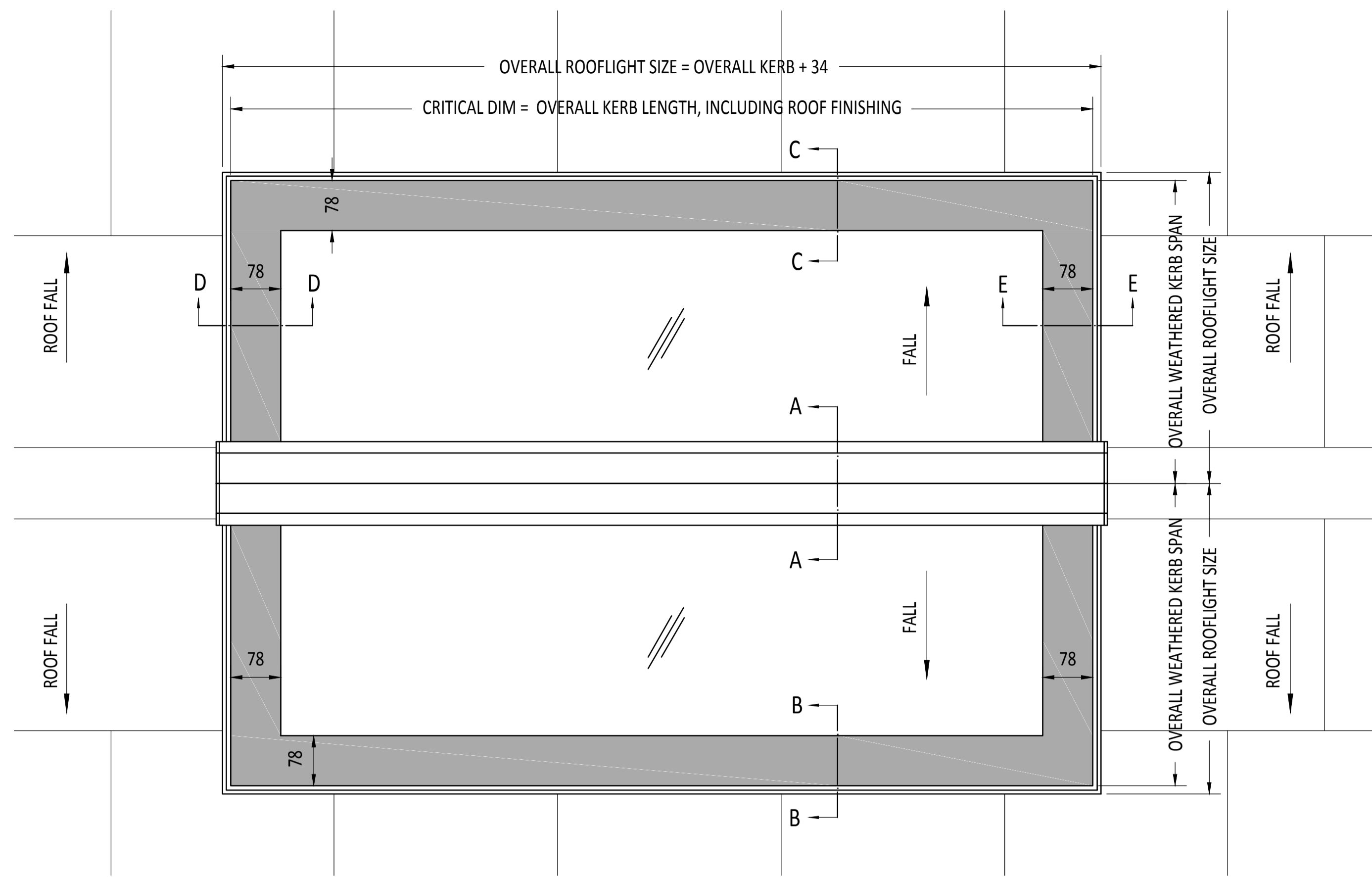
CENTRE PANE U VALUE = 1.1W/m<sup>2</sup>.K

PRODUCT U VALUE = AS LOW AS 1.3 W/m<sup>2</sup>.K

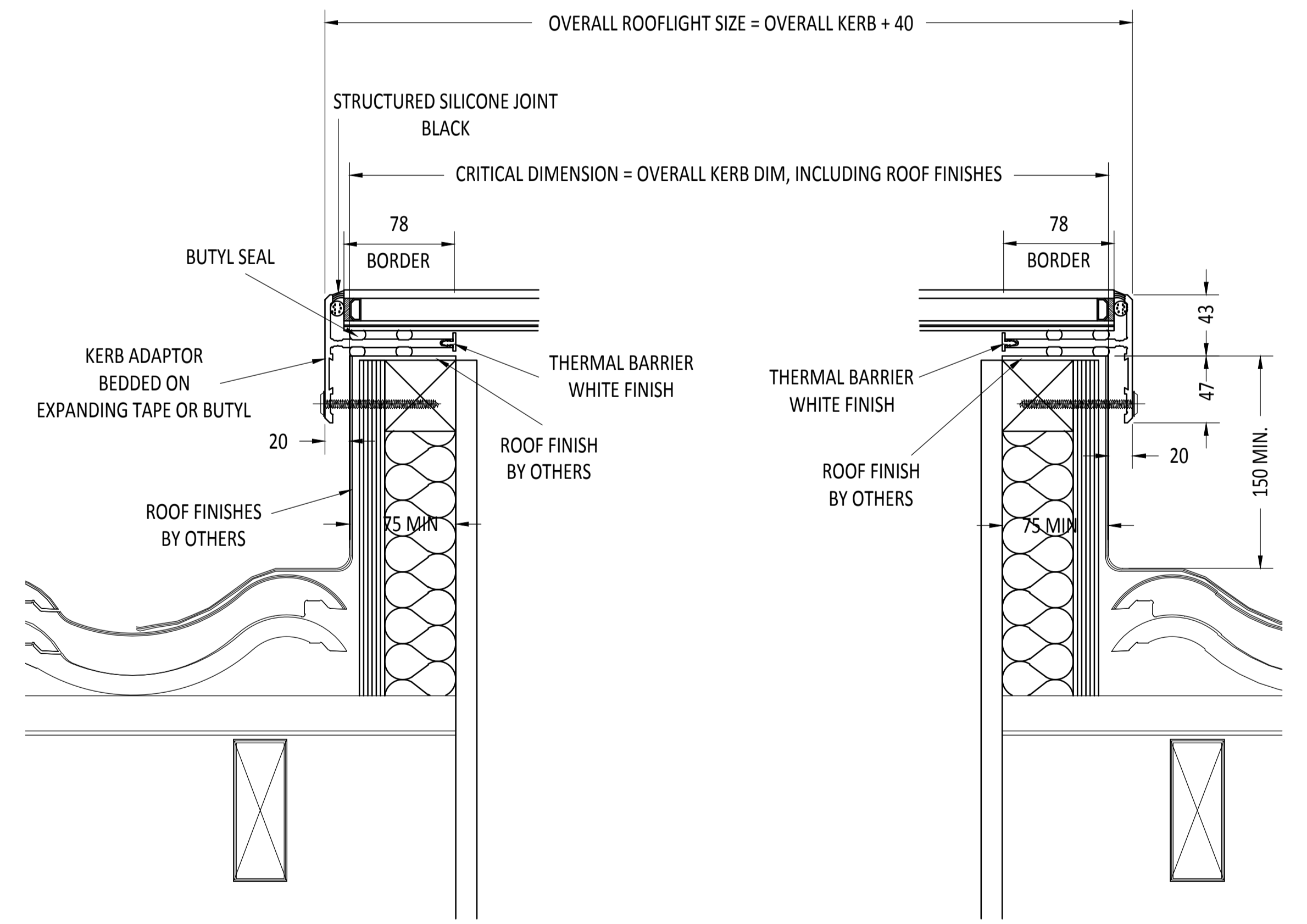
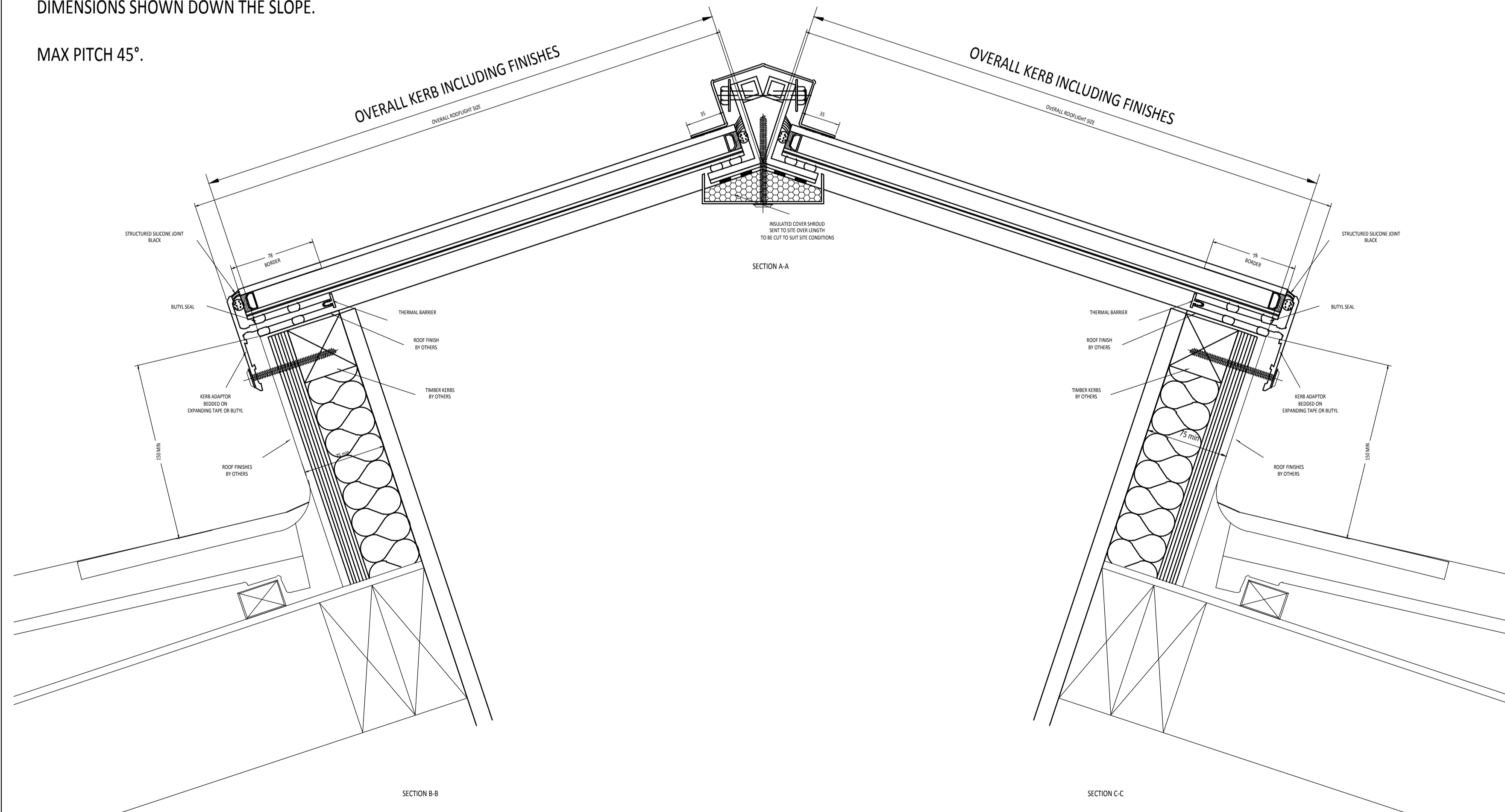
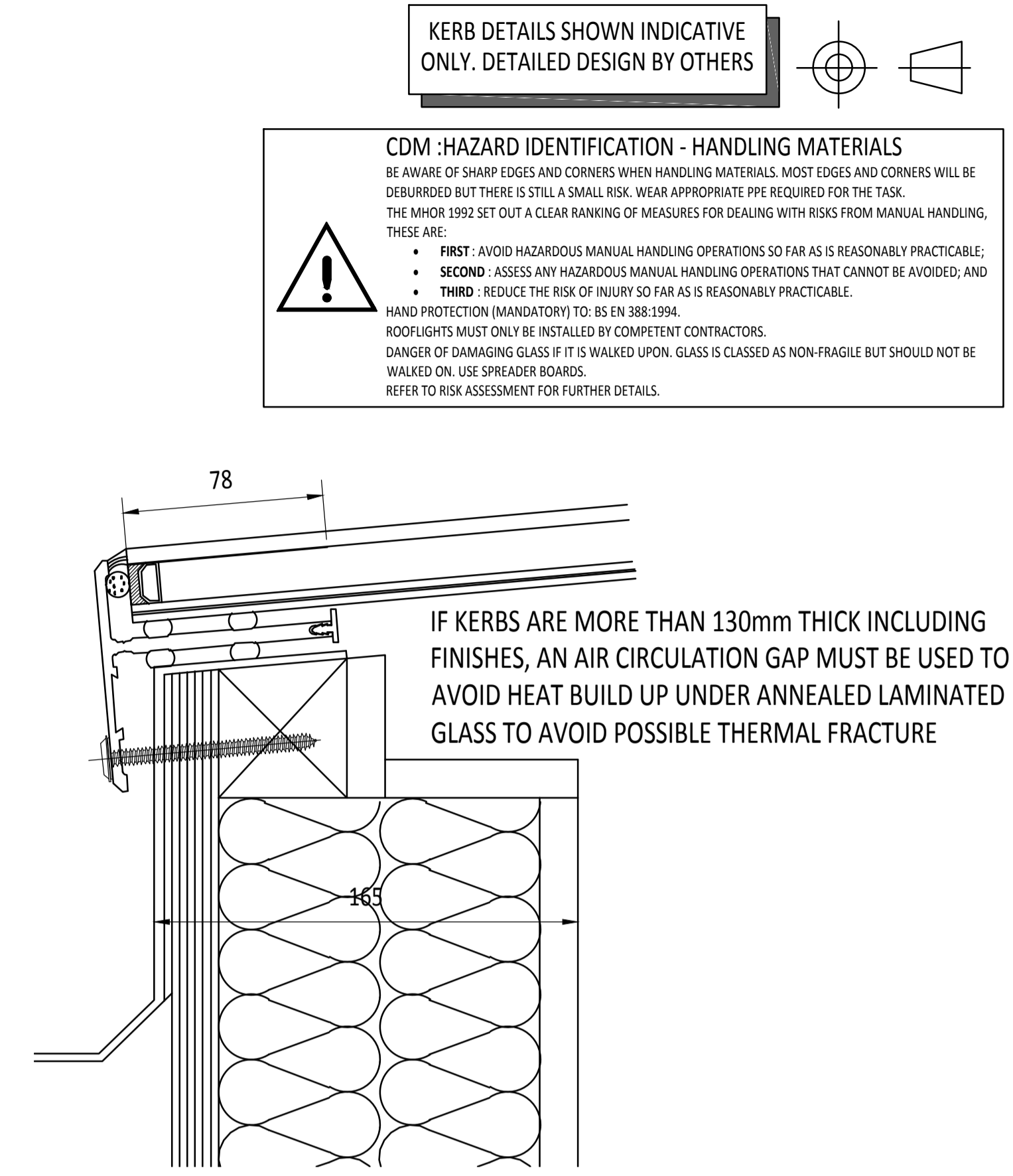
KERB DETAILS SHOWN INDICATIVE DETAILED DESIGN BY OTHERS.

DIMENSIONS SHOWN DOWN THE SLOPE.

MAX PITCH 45°.



PLAN VIEW  
True view on slope



SECTION D-D

SECTION E-E

**IF IN DOUBT ASK  
DO NOT SCALE**

IT IS THE RESPONSIBILITY OF THE KERB DESIGNER TO ENSURE THE KERB WILL BE STRUCTURALLY ADEQUATE TO HOLD THE ROOFLIGHT. KERBS SHOWN ON R&G DRAWINGS ARE FOR ILLUSTRATION PURPOSES ONLY.

R&G would advise an installation with a minimum pitch of 5° for rooflight units to minimize water pooling. Whilst the product can be installed flat without detriment to the warranty, R&G cannot be held responsible for any excessive pooling of water to the surface of the rooflight post installation, if installed without an adequate fall.

THIS DRAWING MUST NOT BE COPIED OR PASSED TO A THIRD PARTY WITHOUT WRITTEN CONSENT FROM R&G LIMITED.

CHECKED	DATE	DRAWN	DATE
		D. PUGH	15-12-2015

TOLERANCE UNLESS OTHERWISE STATED	±5
DIMENSIONS IN	MM
SCALE	1:6 @ A1 1:3 @ A1

MATERIAL	ALUMINIUM + GLASS
FINISH	POLYESTER POWDER COATING COLOUR T.B.C.

REV	AMENDMENTS	SIGNED	CHECKED	DATE

Rooflights and Glazing (UK) Limited,  
UNIT 5 IRONBRIDGE INDUSTRIAL STATE, 397 RETFORD ROAD,  
SHEFFIELD, S13 9WA, Telephone 0114 4081000, Fax 0114 2385611,  
E-mail sales@rooflightsandglazing.co.uk

TITLE:

**FIXED DOUBLE GLAZED  
DUAL PITCH FLATGLASS**

**ROOFLIGHTS & GLAZING**

A 1

DRAWING N°  
**RG-80-112**  
SHEET 1 OF 1

REV