

CDM :HAZARD IDENTIFICATION - HANDLING MATERIALS

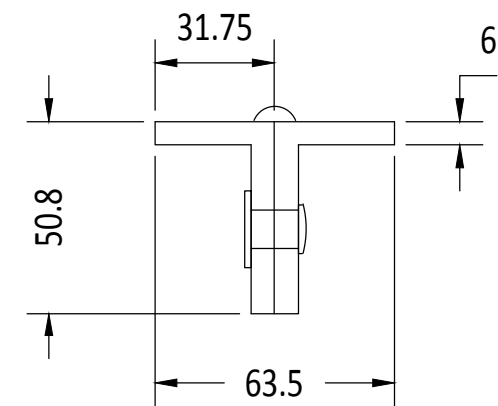
BE AWARE OF SHARP EDGES AND CORNERS WHEN HANDLING MATERIALS. MOST EDGES AND CORNERS WILL BE DEBURRED BUT THERE IS STILL A SMALL RISK. WEAR APPROPRIATE PPE REQUIRED FOR THE TASK. THE MINOR 1992 SET OUT A CLEAR RANKING OF MEASURES FOR DEALING WITH RISKS FROM MANUAL HANDLING, THESE ARE:



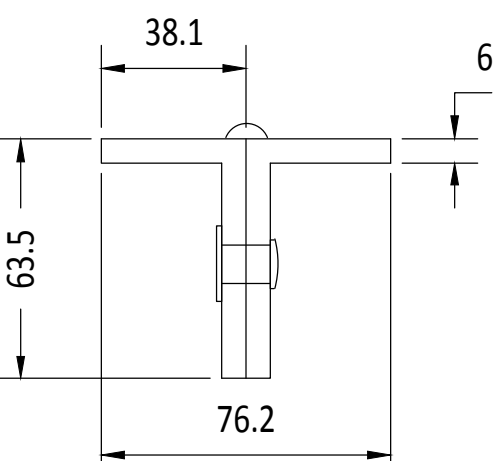
- FIRST** - AVOID HAZARDOUS MANUAL HANDLING OPERATIONS SO FAR AS IS REASONABLY PRACTICABLE;
- SECOND** - ASSESS ANY HAZARDOUS MANUAL HANDLING OPERATIONS THAT CANNOT BE AVOIDED; AND
- THIRD** - REDUCE THE RISK OF INJURY SO FAR AS IS REASONABLY PRACTICABLE.

HAND PROTECTION (MANDATORY) TO: BS EN 388:1994.
REFER TO RISK ASSESSMENT FOR FURTHER DETAILS
ROOFLIGHTS MUST ONLY BE INSTALLED BY COMPETENT CONTRACTORS.
DANGER OF DAMAGING GLASS IF IT IS WALKED UPON. GLASS IS CLASSED AS NON-FRAGILE BUT SHOULD NOT BE WALKED ON. USE SPREADER BOARDS

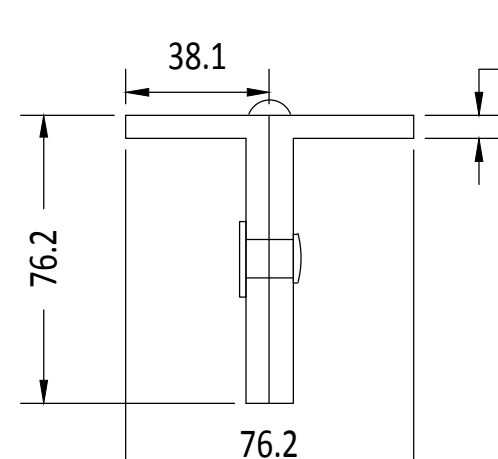
IF KERBS ARE MORE THAN 130mm THICK INCLUDING FINISHES, AN AIR CIRCULATION GAP MUST BE USED TO AVOID HEAT BUILD UP UNDER ANNEALED LAMINATED GLASS.



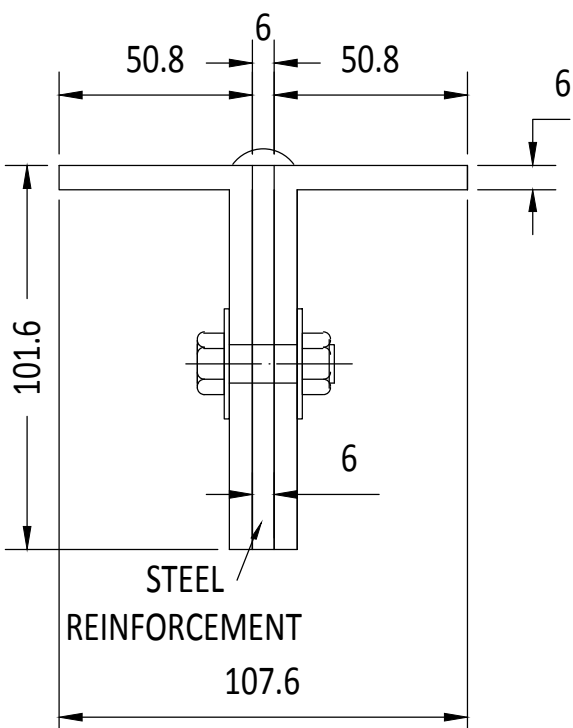
UP TO 1800 SPAN



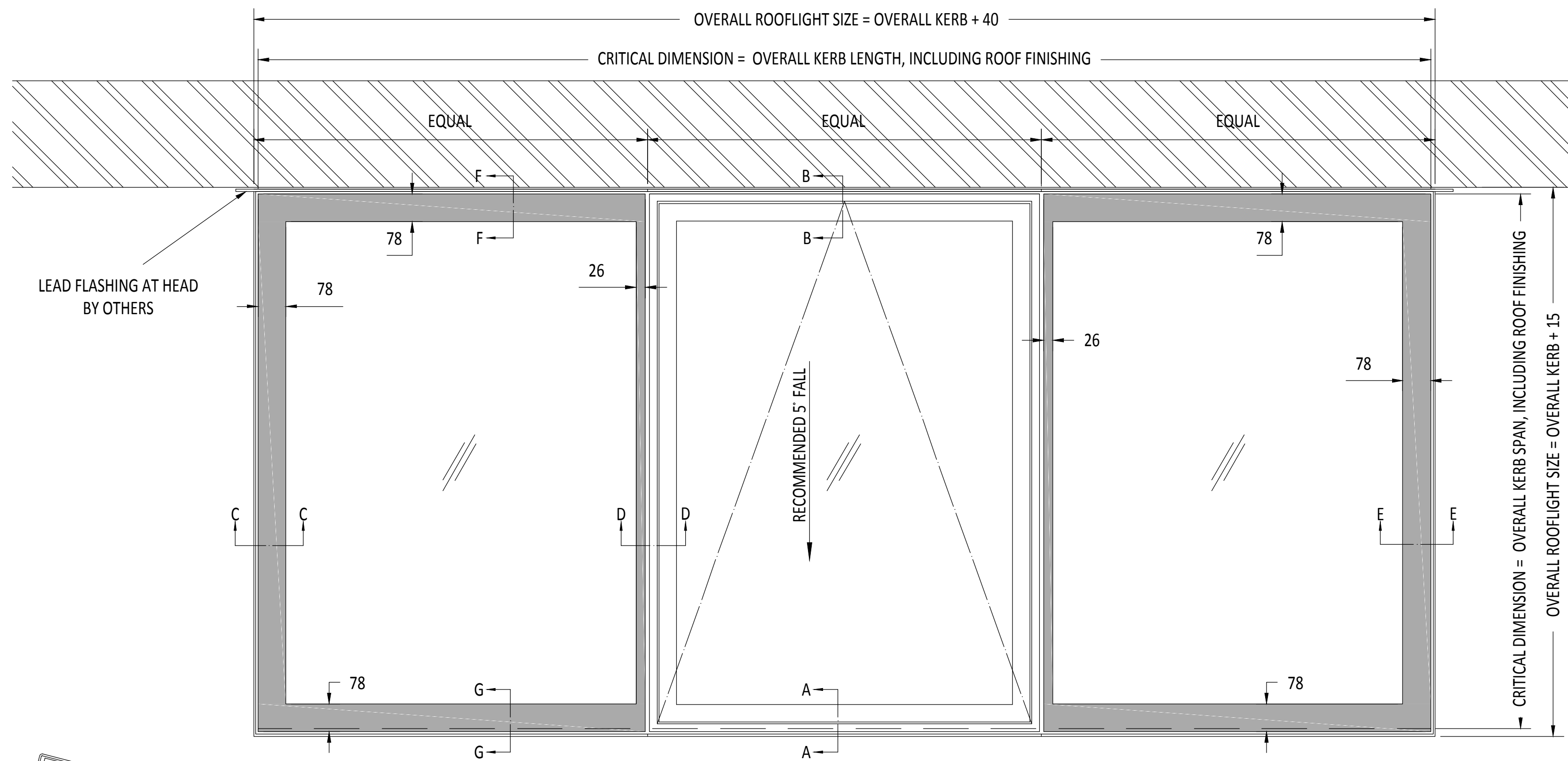
UP TO 2200 SPAN



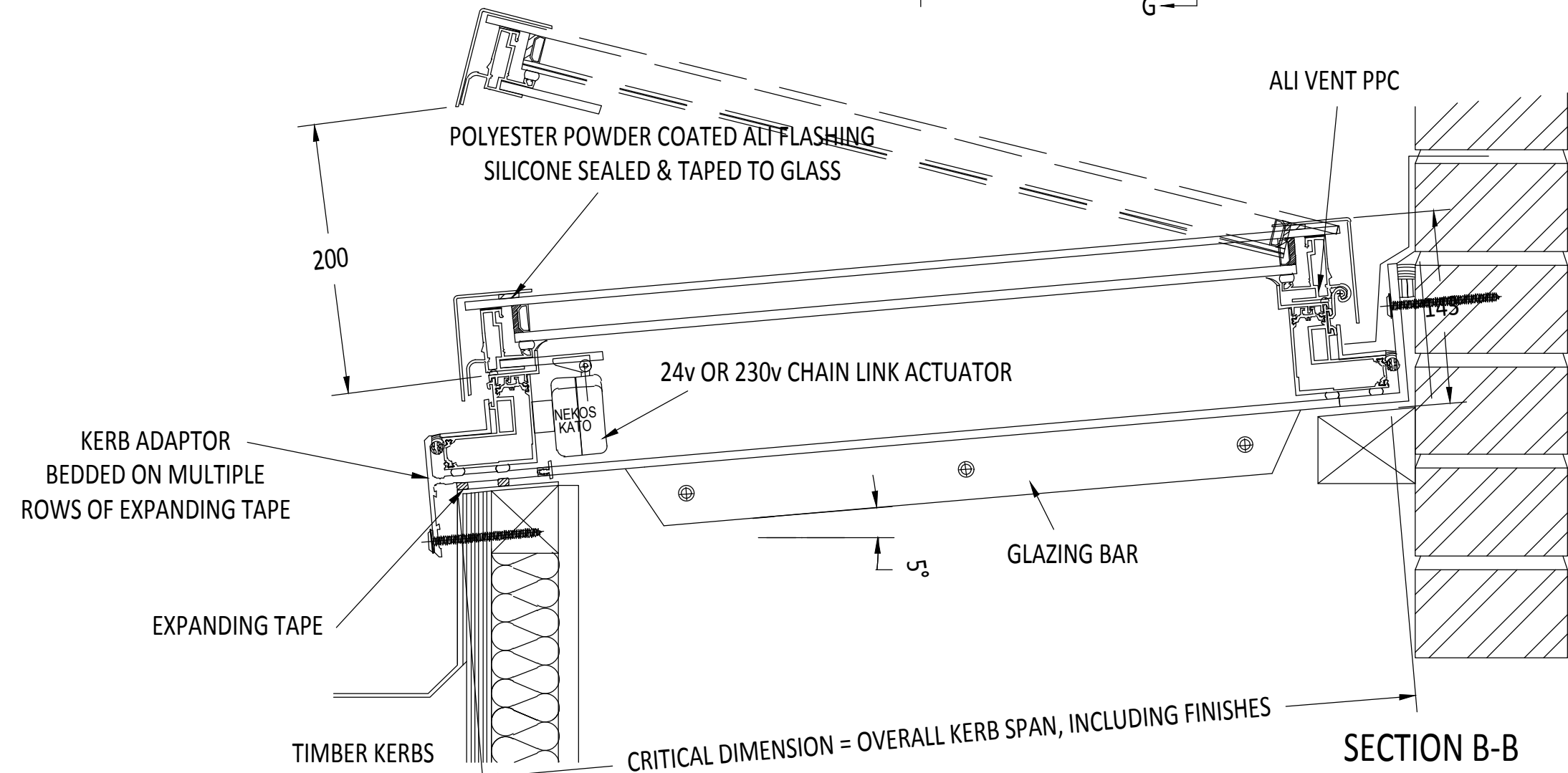
UP TO 2800 SPAN



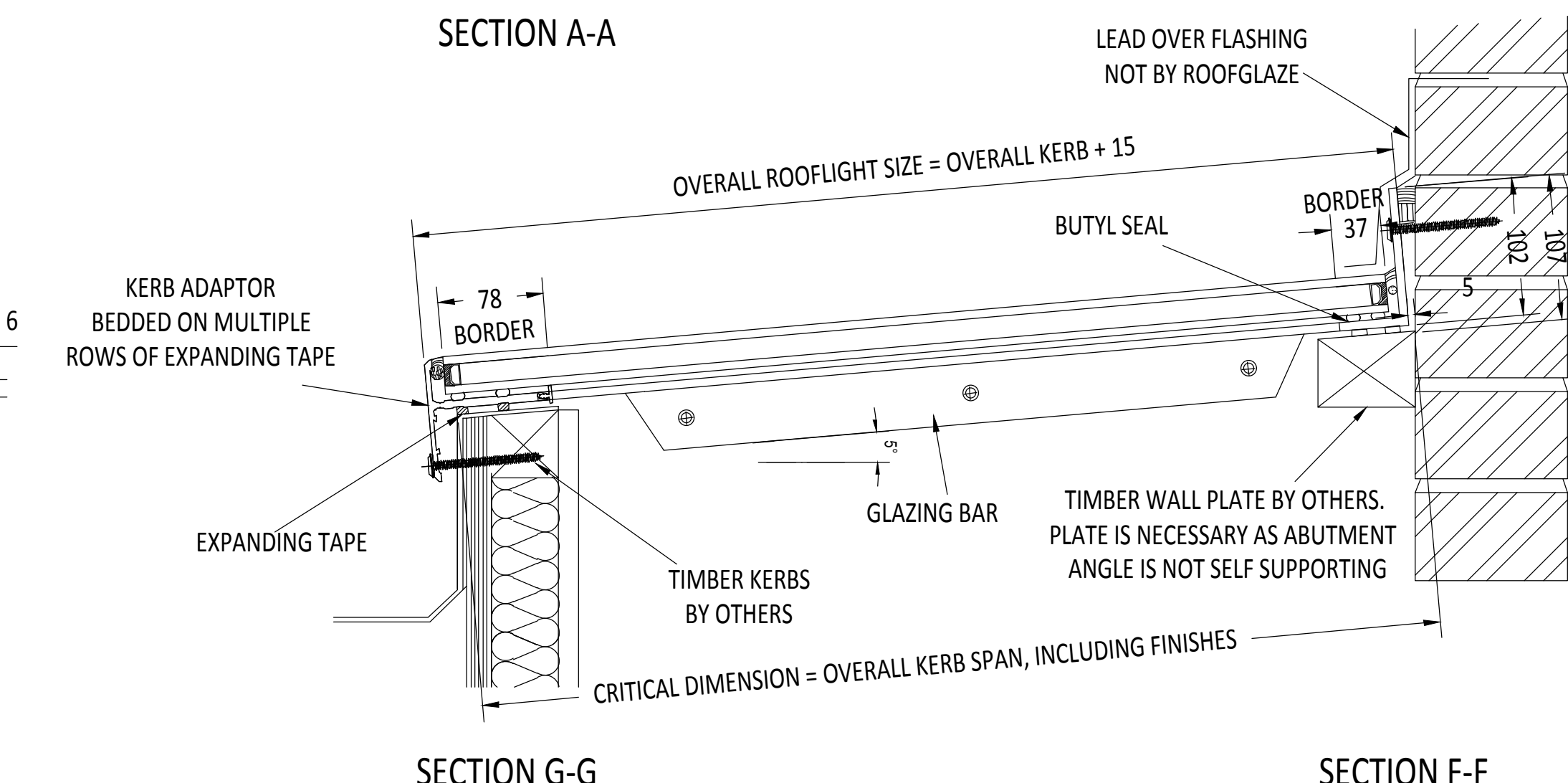
UP TO 3200 SPAN



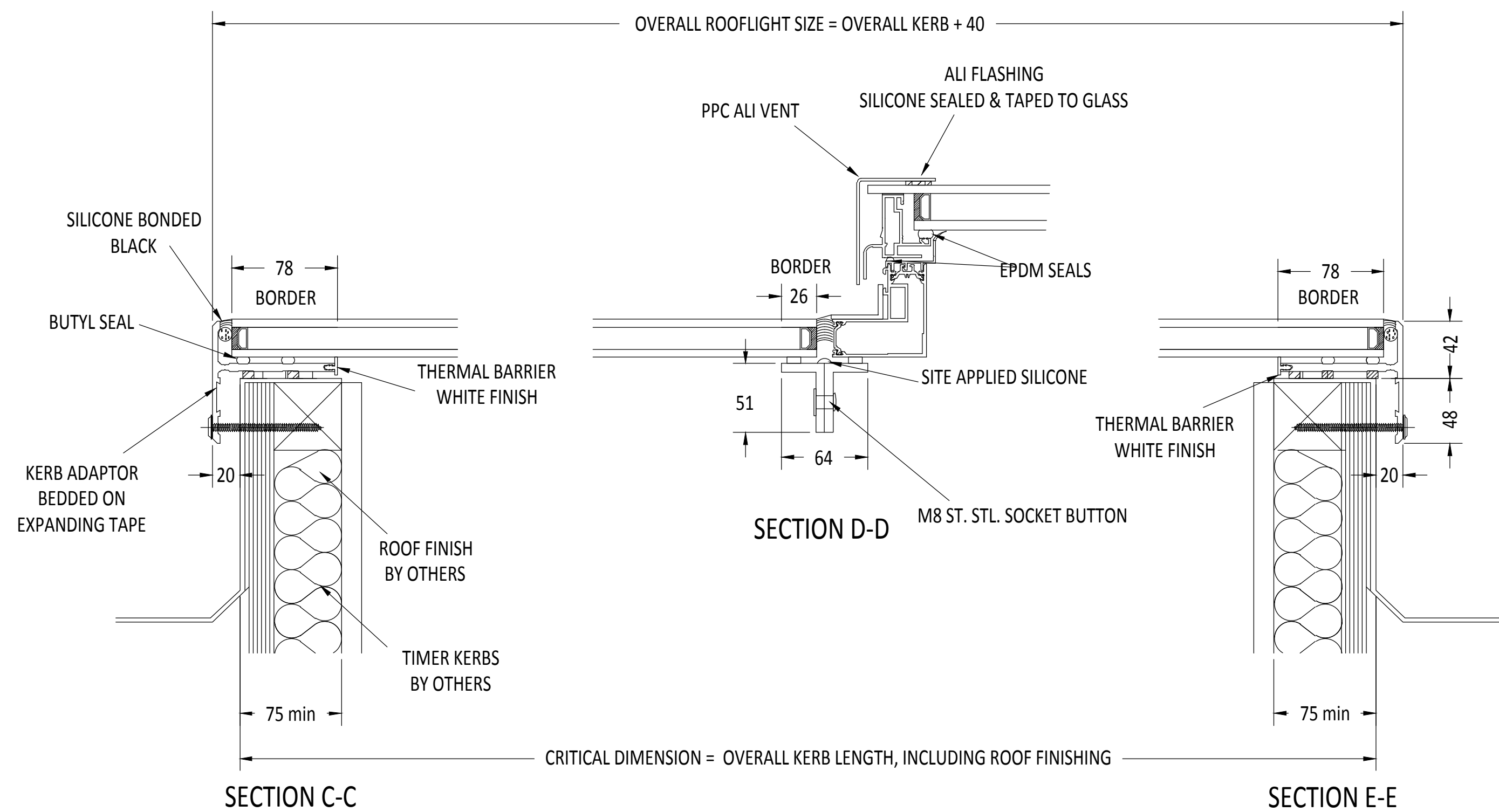
PLAN VIEW
TRUE VIEW ON SLOPE



SECTION A-A



SECTION F-F



SECTION C-C

SECTION E-E

NOTES

X No. REQUIRED

GLAZING SPECIFICATION:

OUTER SKIN: 6mm CLEAR TOUGHENED GLASS WITH SANDBLAST BORDER TO FACE 2 OR PAINT
CAVITY: 16mm ARGON FILLED + WARM EDGE SPACER
INNER SKIN: 6.8mm CLEAR LAMINATED OR 6mm HST TOUGHENED GLASS WITH LOW-E COATING TO CAVITY FACE
SILICONE BONDED

ROOFLIGHT WEIGHT = 45 kg/m² Per Section (Glazed)

STANDARD DESIGN LOAD = 750 N/m². (Please inform us if you require a higher load for wind etc.)

BORDER SHOWN AS STANDARD TO COVER GLAZING FRAME. OTHER DIMS AVAILABLE UPON REQUEST. PAINT OPTION AVAILABLE ON TOUGHENED TOUGHENED DGU'S ONLY.

LIGHT TRANSMISSION = 78%

SOLAR G VALUE = 0.63

ACOUSTIC = 37 Rw dB Laminated or 35 Rw dB Toughened

CENTRE PANE U VALUE = 1.1W/m².K

PRODUCT U VALUE = AS LOW AS 1.3 W/m².K

DIMENSIONS SHOWN DOWN THE SLOPE KERB DETAILS SHOWN INDICATIVE DETAILED DESIGN BY OTHERS.

TOP HINGED OPENING VENT POWERED BY 1 No. OR A SYNCHRONISED PAIR OF 24v or 230v CHAIN LINK ACTUATORS. ELECTRICAL COMMISSIONING TO BUILDING POWER BY OTHERS.

ALL FLASHING TO WALLS BY OTHERS.

IF IN DOUBT ASK
DO NOT SCALE

IT IS THE RESPONSIBILITY OF THE KERB DESIGNER TO ENSURE THE KERB WILL BE STRUCTURALLY ADEQUATE TO HOLD THE ROOFLIGHT. KERBS SHOWN ON R&G DRAWINGS ARE FOR ILLUSTRATION PURPOSES ONLY.

R&G would advise an installation with a minimum pitch of 5° for rooflight units to minimize water pooling. Whilst the product can be installed flat without detriment to the warranty, R&G cannot be held responsible for any excessive pooling of water to the surface of the rooflight post installation, if installed without an adequate fall.

THIS DRAWING MUST NOT BE COPIED OR PASSED TO A THIRD PARTY WITHOUT WRITTEN CONSENT FROM R&G LIMITED.

CHECKED
DATE
DRAWN
D. PUGH
DATE
15-2-2016

TOLERANCE UNLESS OTHERWISE STATED ±5
DIMENSIONS IN MM
SCALE 1:3 & 1:4 & 1:10 @ A1

MATERIAL ALUMINIUM + GLASS
FINISH POLYESTER POWDER COATING COLOUR T.B.C.

| REV | AMENDMENTS | SIGNED | CHECKED | DATE |
|-----|------------|--------|---------|------|
| | | | | |

Rooflights and Glazing (UK) Limited
UNIT 5 IRONBRIDGE INDUSTRIAL STATE, 397 RETFORD ROAD,
SHEFFIELD, S13 9JW. Telephone 0114 4081000. Fax 0114 2385511.
E-mail sales@rooflightsandglazing.co.uk

TITLE: **FIXED DOUBLE GLAZED MULTI SECTION
FLATGLASS + GLAZED IN VENT + HEAD ABUT**

ROOFLIGHTS & GLAZING

DRAWING N°: **RG-80-206**
SHEET 1 OF 1