

CDM :HAZARD IDENTIFICATION - HANDLING MATERIALS
 BE AWARE OF SHARP EDGES AND CORNERS WHEN HANDLING MATERIALS. MOST EDGES AND CORNERS WILL BE DEBURRED BUT THERE IS STILL A SMALL RISK. WEAR APPROPRIATE PPE REQUIRED FOR THE TASK.
 THE MHOR 1992 SET OUT A CLEAR RANKING OF MEASURES FOR DEALING WITH RISKS FROM MANUAL HANDLING, THESE ARE:
 • **FIRST** - AVOID HAZARDOUS MANUAL HANDLING OPERATIONS SO FAR AS IS REASONABLY PRACTICABLE;
 • **SECOND** - ASSESS ANY HAZARDOUS MANUAL HANDLING OPERATIONS THAT CANNOT BE AVOIDED, AND
 • **THIRD** - REDUCE THE RISK OF INJURY SO FAR AS IS REASONABLY PRACTICABLE.
 HAND PROTECTION (MANDATORY) TO: BS EN 388:1994.
 ROOFLIGHTS MUST ONLY BE INSTALLED BY COMPETENT CONTRACTORS.
 DANGER OF DAMAGING GLASS IF IT IS WALKED UPON. GLASS IS CLASSED AS NON-FRAGILE BUT SHOULD NOT BE WALKED ON. USE SPREADER BOARDS.
 REFER TO RISK ASSESSMENT FOR FURTHER DETAILS.

NOTES

GLASS SPEC:
 OUTER : 6mm CLEAR HST TOUGHENED GLASS
 CAVITY : 16mm ARGON FILLED + WARM EDGE SPACER
 INNER : 6mm CLEAR HST TOUGHENED GLASS + LOW E COATING
 SILICONE BONDED

LIGHT TRANSMISSION = 78 %
 CENTRE PANE U VALUE = 1.1 W/m².K
 SOLAR G VALUE = 0.63
 ACOUSTIC REDUCTION = 35 Rw dB

ROOFLIGHT ORDER SIZE = OVERALL FINISHED AND WEATHER KERB DIMS,
 INTERNAL OPENING SIZE IS NOT RELEVANT TO ROOFLAZE AT ORDER STAGE.

GLAZING CASSETTE SCREWED TO FRAME INTERNALLY.

GLASS BONDED TO FRAME WITH GLAZING SECURITY TAPE.

KERB DETAILS SHOWN INDICATIVE DETAILED DESIGN BY OTHERS.

MIN. FALL SHOWN TO HELP SHED WATER.

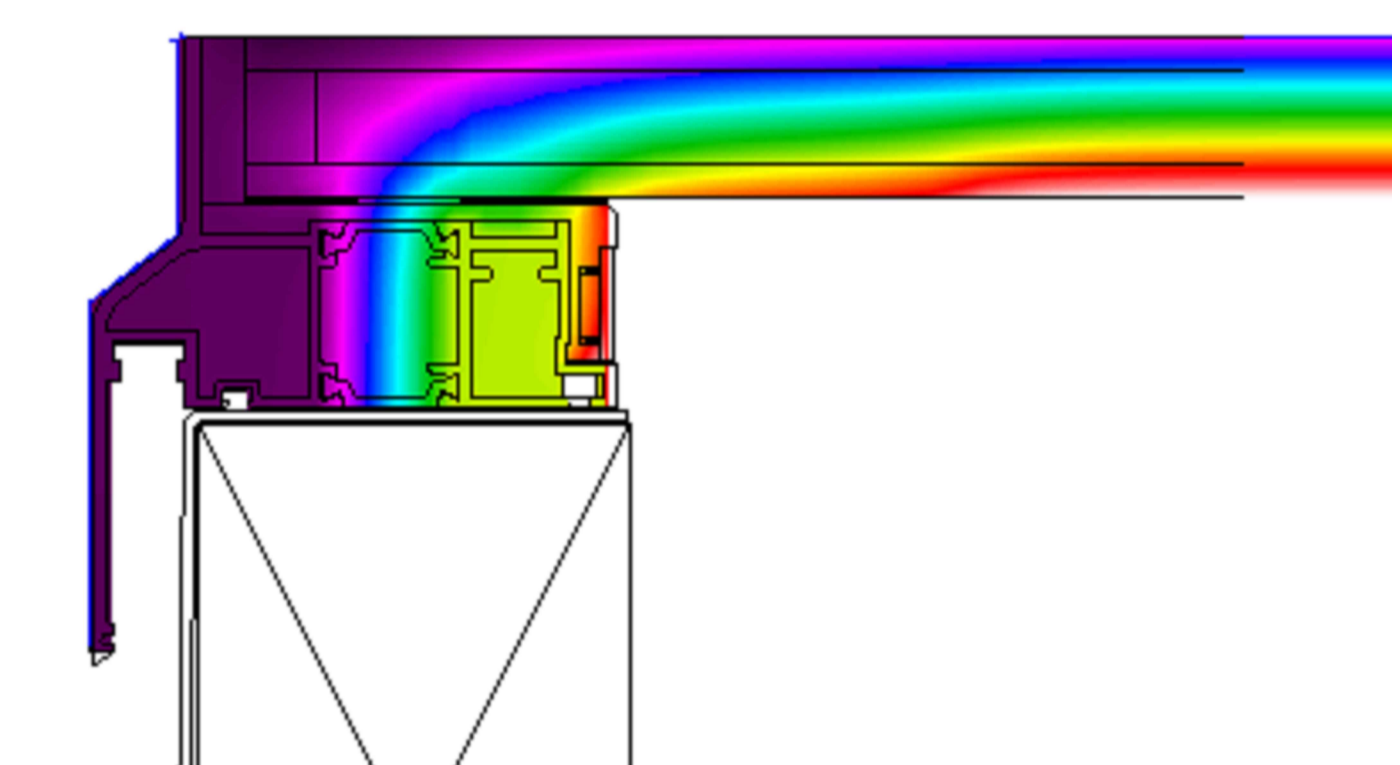
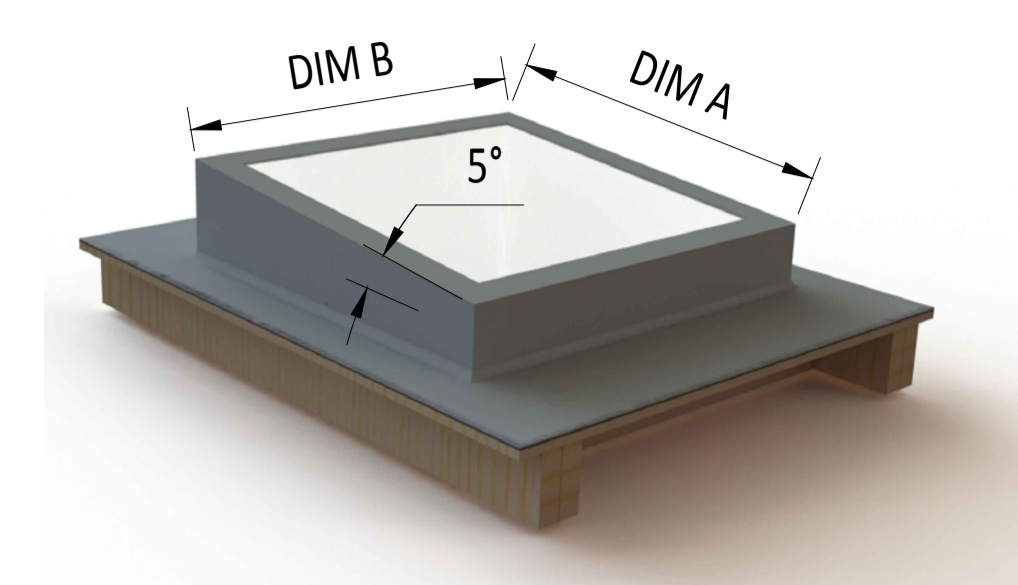
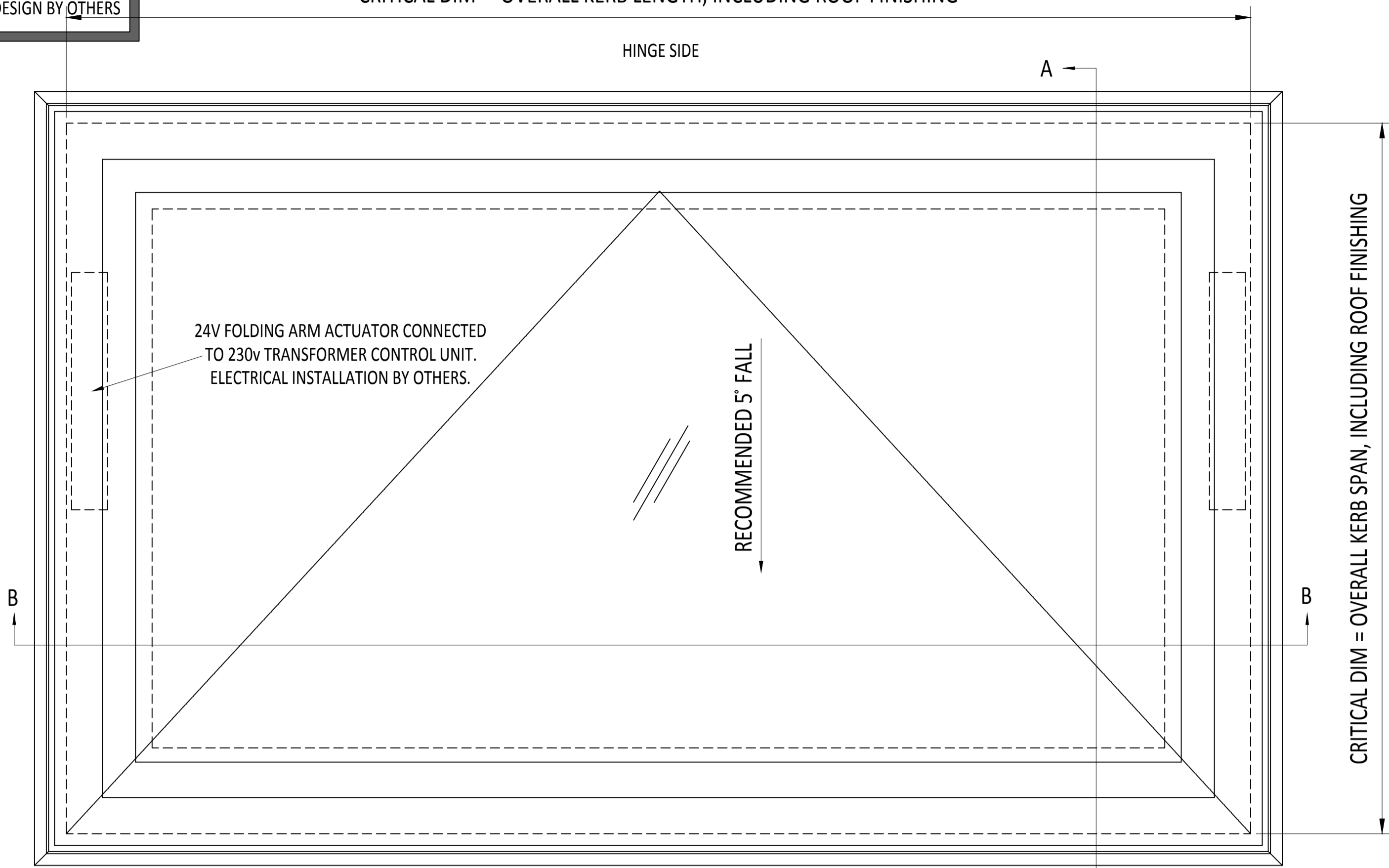
PRODUCT U-VALUE = AS LOW AS 1.4 W/m².K (u-values are size dependant)

24v DC ACTUATORS CONNECTED TO 230v TRANSFORMER CONTROL PANEL.

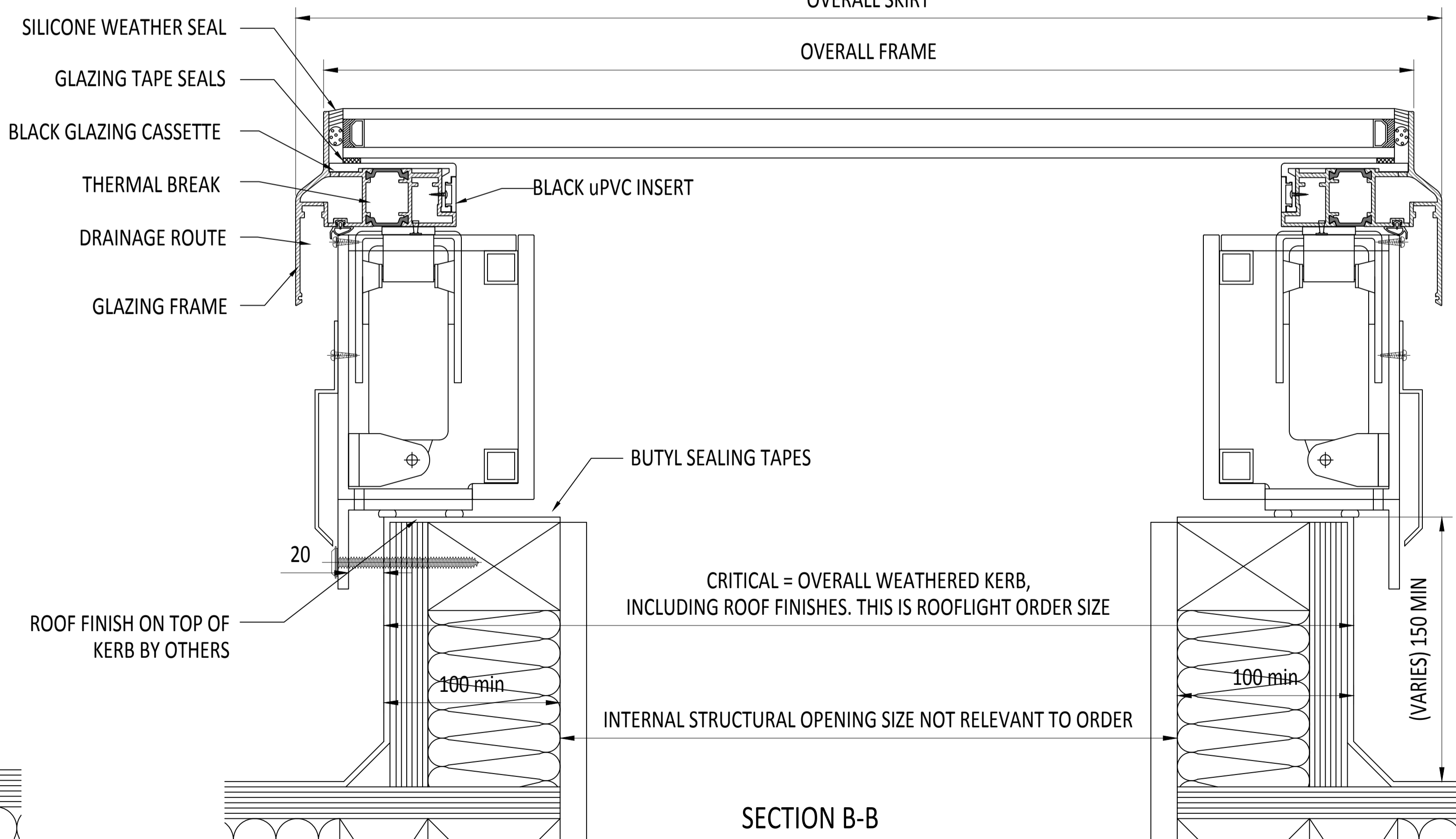
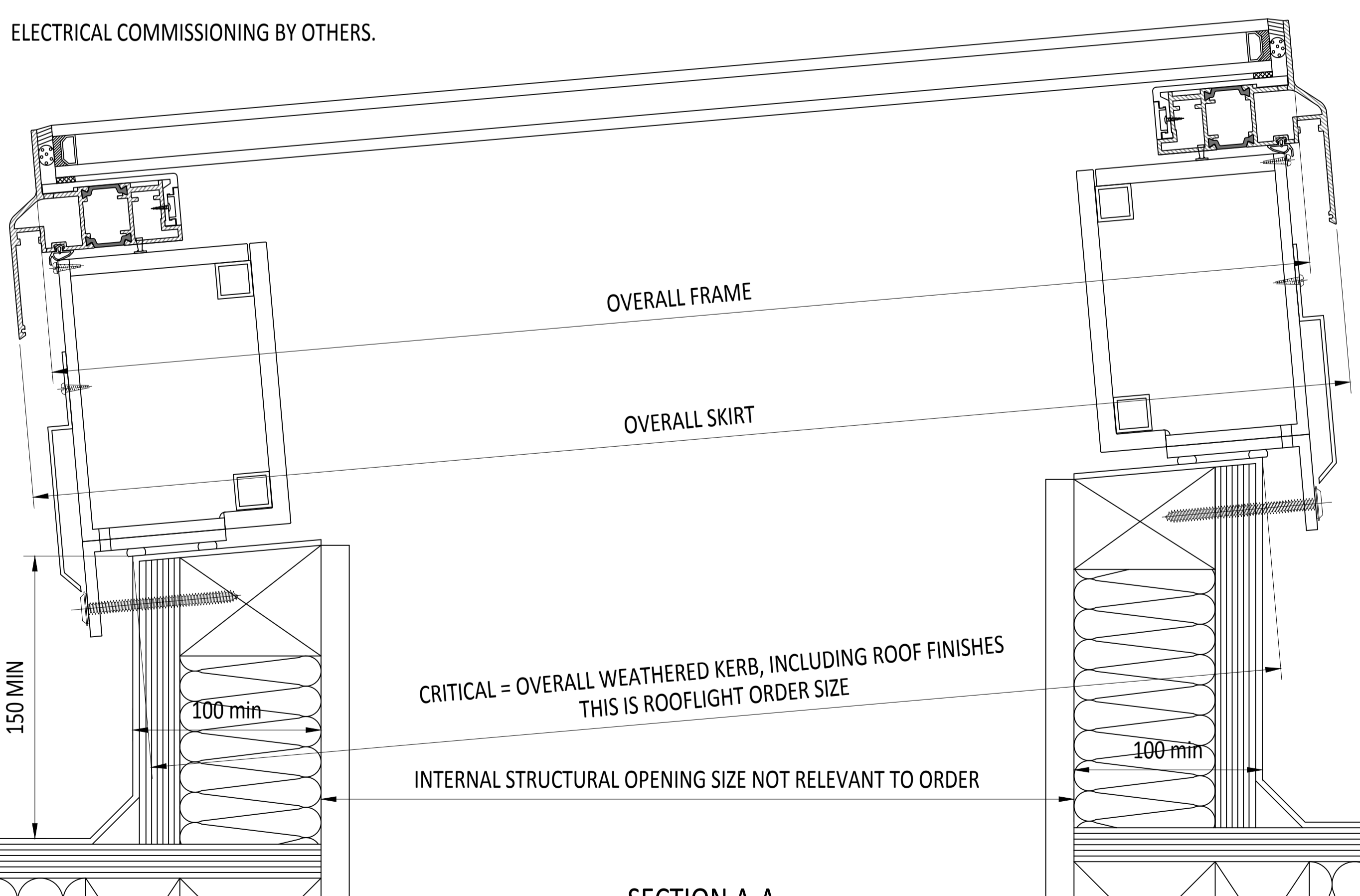
ELECTRICAL COMMISSIONING BY OTHERS.

KERB DETAILS SHOWN INDICATIVE ONLY. DETAILED DESIGN BY OTHERS

CRITICAL DIM = OVERALL KERB LENGTH, INCLUDING ROOF FINISHING



PLAN VIEW
TRUE VIEW ON SLOPE



| | | | | | | | | | | | | | | | | | | |
|---|--|--|---|-------------------------------|--|--------------------------------------|--|--------------------------|-----|------------|--------|---------|------|---|--|--|-------------------------------------|-----------------------|
| IF IN DOUBT ASK DO NOT SCALE | IT IS THE RESPONSIBILITY OF THE KERB DESIGNER TO ENSURE THE KERB WILL BE STRUCTURALLY ADEQUATE TO HOLD THE ROOFLIGHTS & GLAZING DRAWINGS ARE FOR ILLUSTRATION PURPOSES ONLY. | Rooflights & Glazing would advise an installation with a minimum pitch of 5° for rooflight units to minimize water pooling. Whilst the product can be installed flat without detriment to the warranty, Rooflights & Glazing cannot be held responsible for any excessive pooling of water to the surface of the rooflight post installation, if installed without an adequate fall. | THIS DRAWING MUST NOT BE COPIED OR PASSED TO A THIRD PARTY WITHOUT WRITTEN CONSENT FROM ROOFLIGHTS & GLAZING. | CHECKED C. MITCHELL | TOLERANCE UNLESS OTHERWISE STATED ±5 | MATERIAL ALUMINIUM + GLASS | FINISH POLYESTER POWDER COATING RAL T.B.C, 70% GLOSS | SCALE 1:2 @ A1 | REV | AMENDMENTS | SIGNED | CHECKED | DATE | Rooflights and Glazing, Unit 5, Ironbridge Industrial Estate, 397 Retford Road, Sheffield, S13 9WA Telephone: 0114 408 1000 Fax 0114 238 5511. | | TITLE: THERMALLY BROKEN 24v ELECTRIC HINGED FOR ACCESS | DRAWING N°: RGR-80-20-302 | REV SHEET 1 |
| | | | | DATE 28-03-2018 | | | | | | | | | | | | | | |