

**NOTES**

**GLASS SPEC:**

OUTER : 6mm CLEAR HST TOUGHENED GLASS  
 CAVITY : 16mm ARGON FILLED + WARM EDGE SPACER  
 INNER : 8.8mm CLEAR LAMINATED + LOW E COATING  
 POLISHED EDGES  
 SILICONE BONDED

LIGHT TRANSMISSION = 78 %  
 CENTRE PANE U VALUE = 1.1 W/m<sup>2</sup>.K  
 SOLAR G VALUE = 0.63  
 ACOUSTIC REDUCTION = 35 Rw dB

ROOFLIGHT ORDER SIZE = OVERALL FINISHED AND WEATHER KERB DIMS, INTERNAL OPENING SIZE IS NOT RELEVANT AT ORDER STAGE.

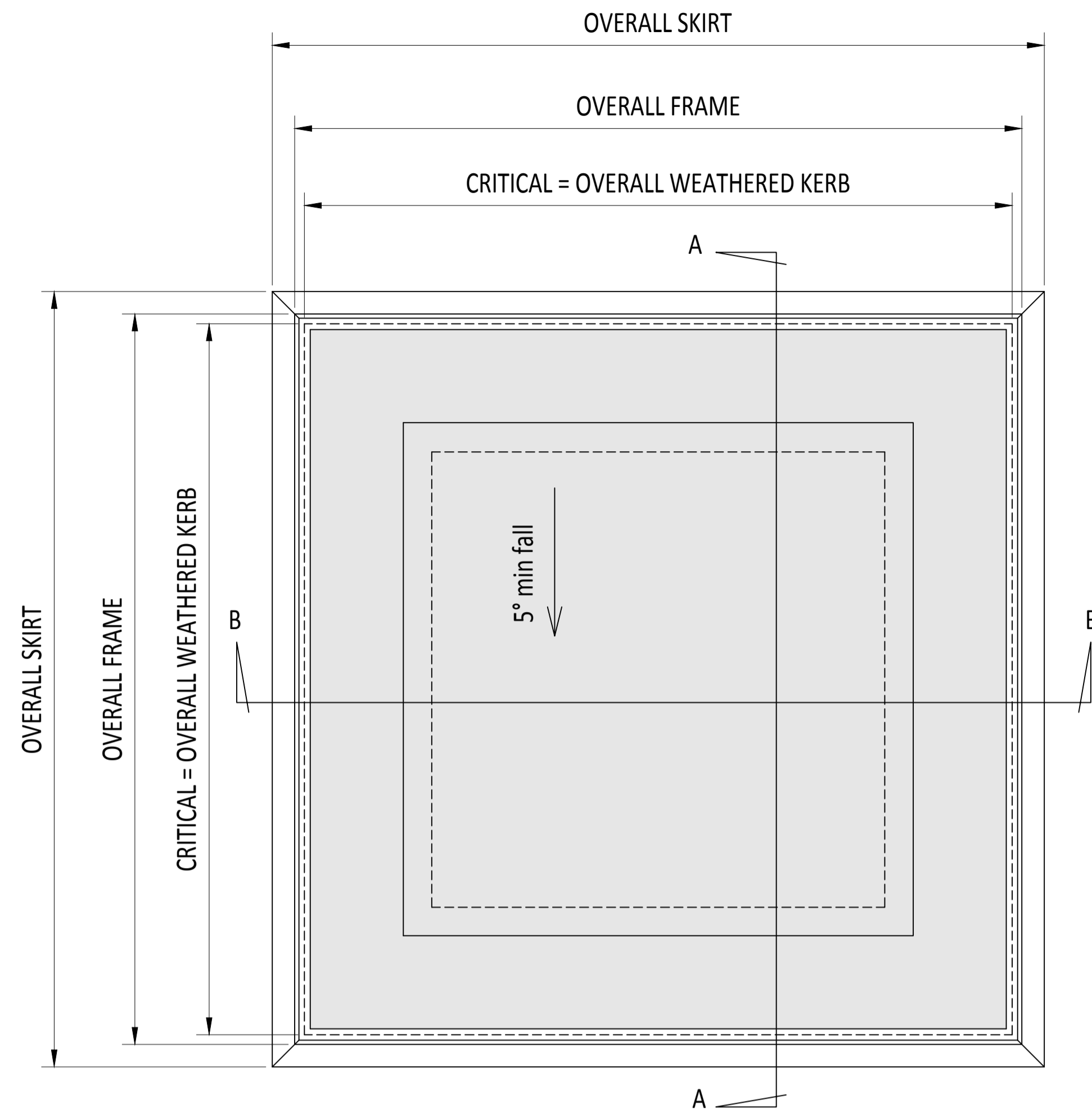
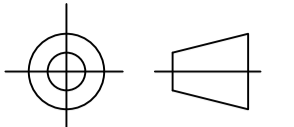
GLAZING CASSETTE SCREWED TO FRAME INTERNALLY.

GLASS BONDED TO FRAME WITH GLAZING SECURITY TAPE.

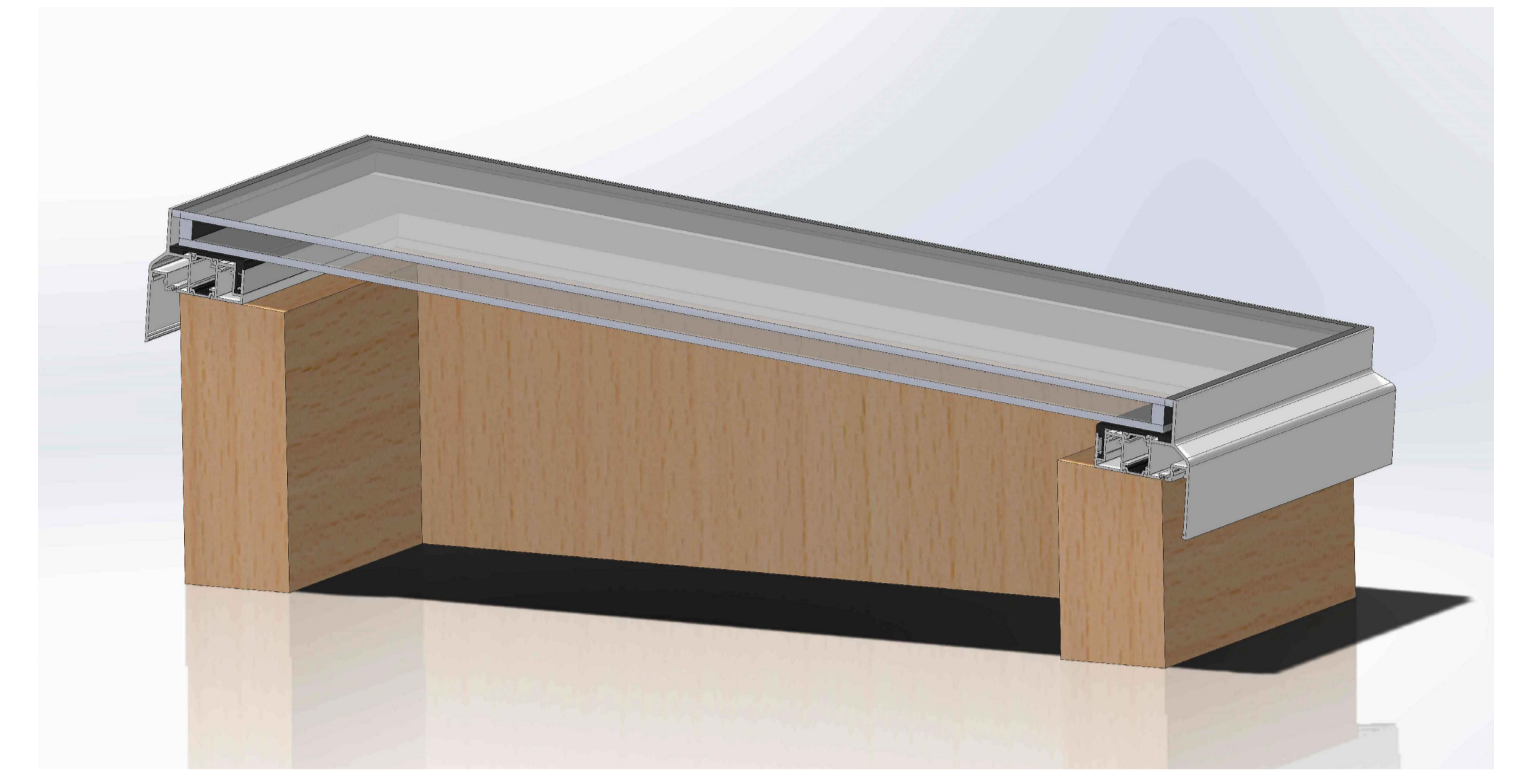
KERB DETAILS SHOWN INDICATIVE DETAILED DESIGN BY OTHERS.

MIN. FALL SHOWN TO HELP SHED WATER.

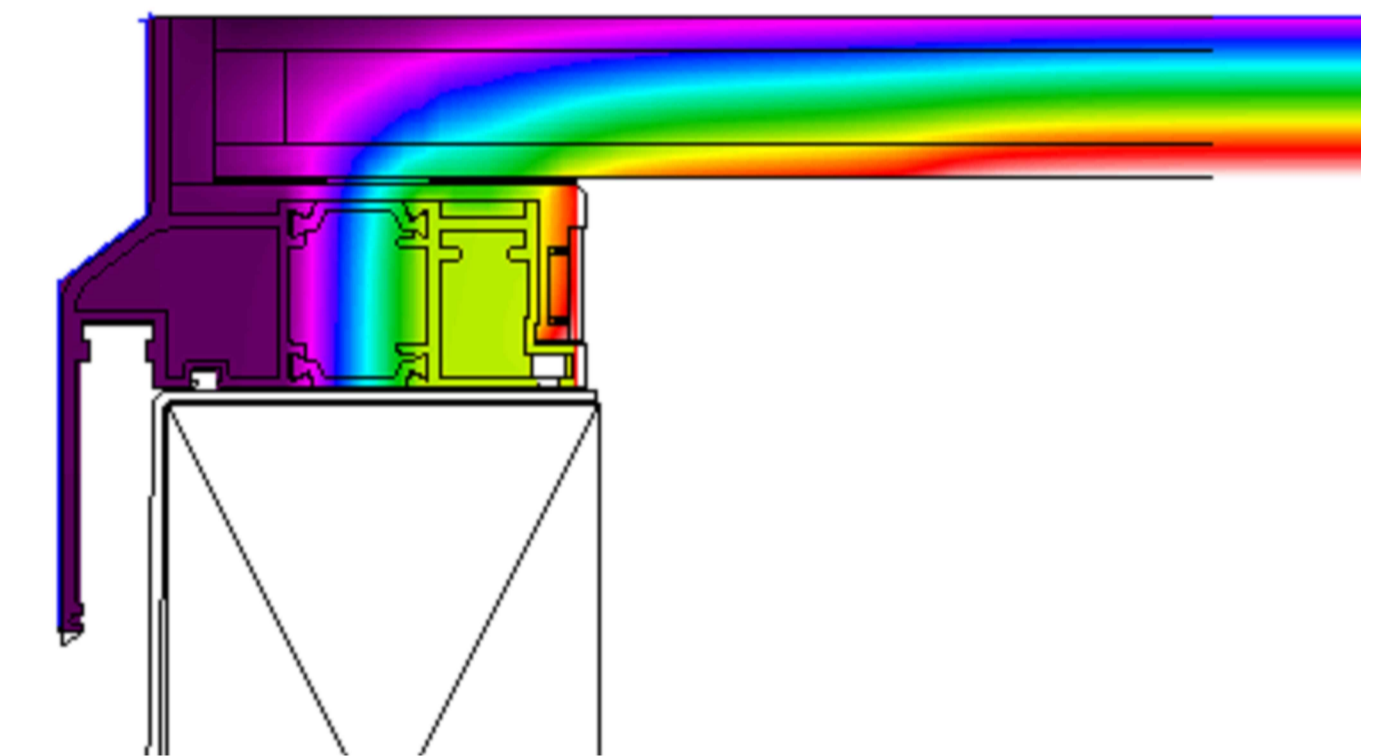
PRODUCT U-VALUE = AS LOW AS 1.4 W/m<sup>2</sup>.K (u-values are size dependant)



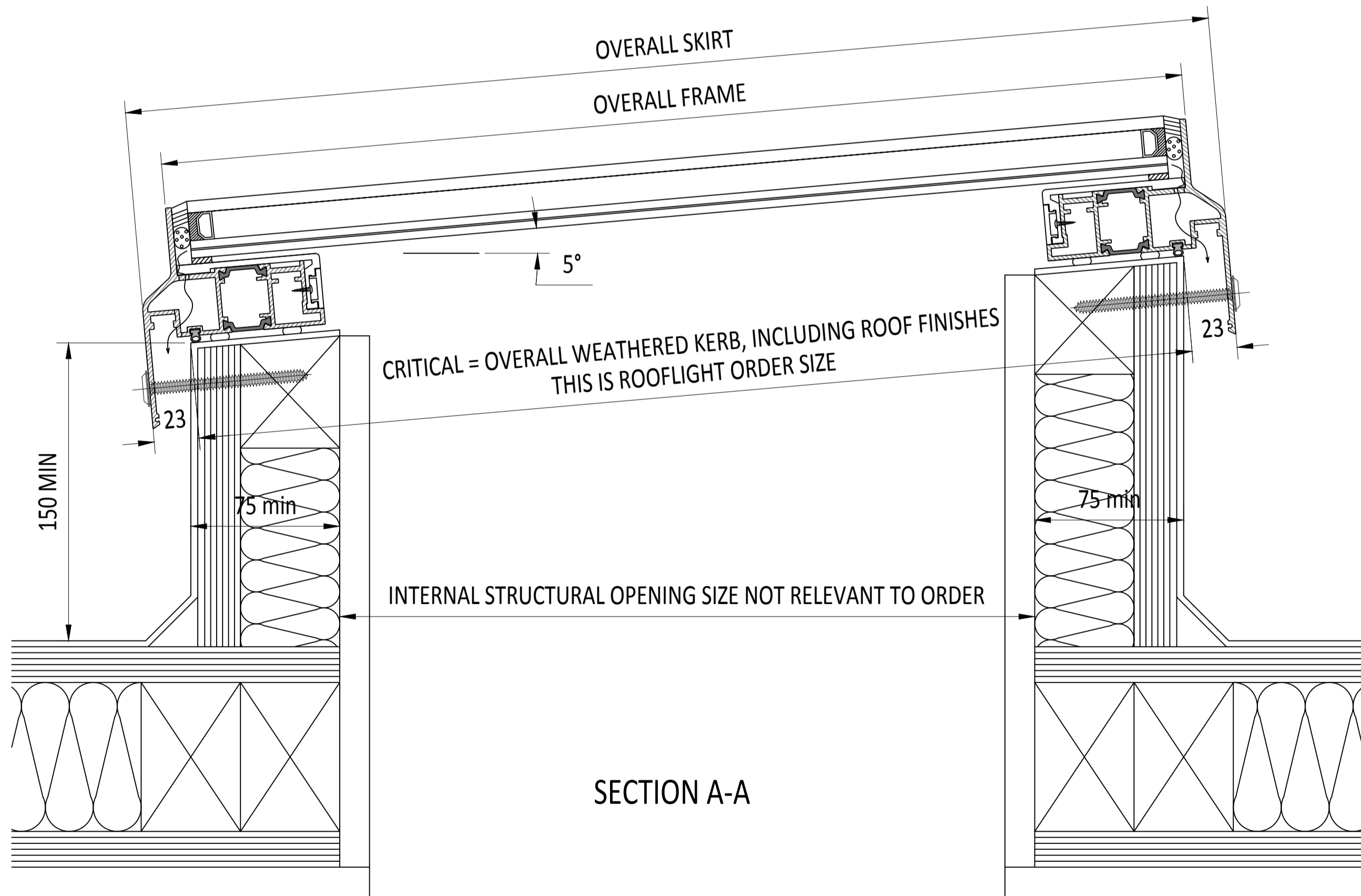
PLAN VIEW  
TRUE VIEW ON SLOPE



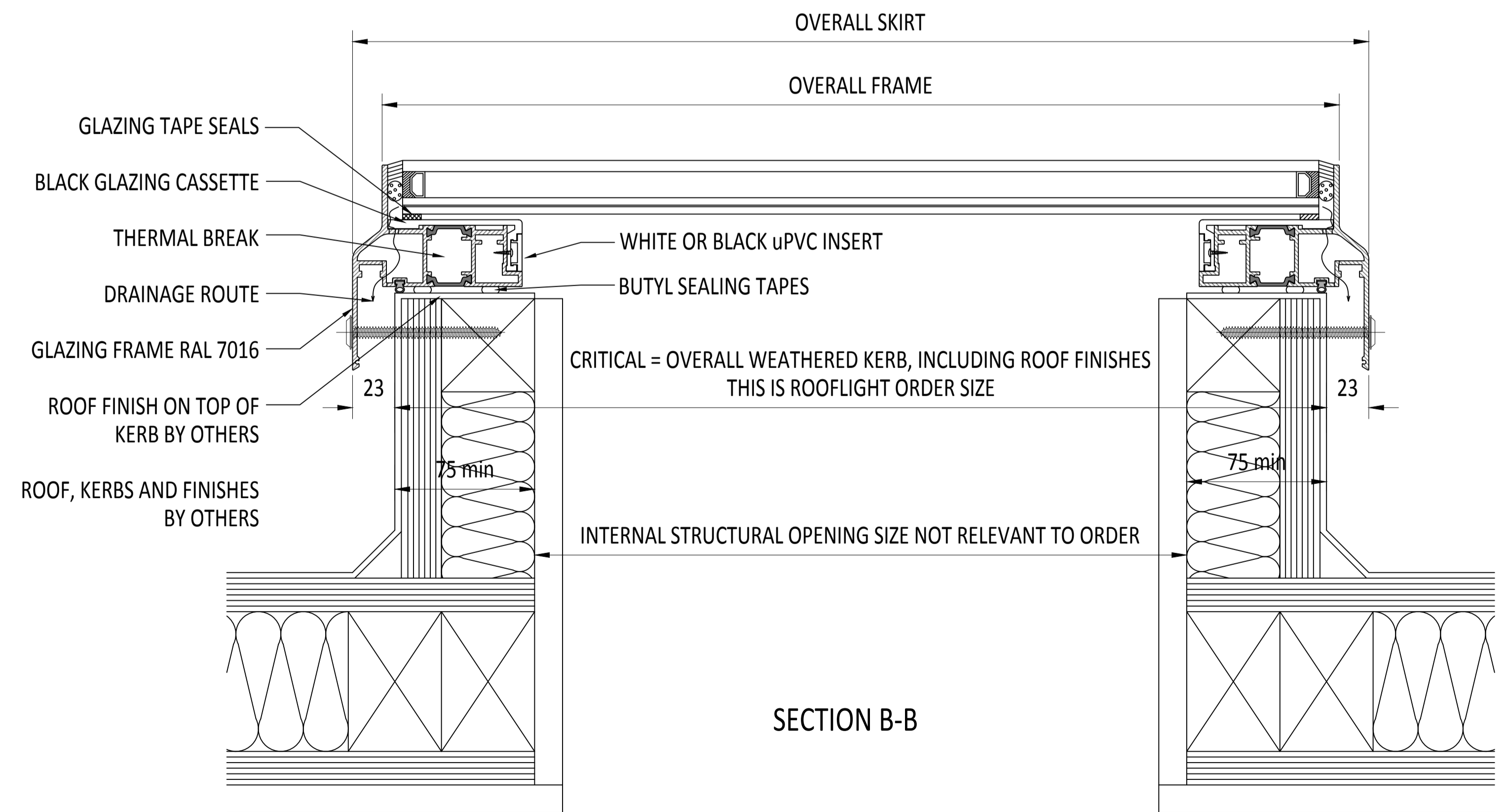
3D SECTION THROUGH KERB



THERMAL IMAGING OF FRAME



SECTION A-A



SECTION B-B

IF IN DOUBT ASK  
DO NOT SCALE

IT IS THE RESPONSIBILITY OF THE KERB DESIGNER TO ENSURE THE KERB WILL BE STRUCTURALLY ADEQUATE TO HOLD THE ROOFLIGHT. KERBS SHOWN ON R&G DRAWINGS ARE FOR ILLUSTRATION PURPOSES ONLY.

R&G would advise an installation with a minimum pitch of 5° for rooflight units to minimize water pooling. Whilst the product can be installed flat without detriment to the warranty, R&G cannot be held responsible for any excessive pooling of water to the surface of the rooflight post installation, if installed without an adequate fall.

THIS DRAWING MUST NOT BE COPIED OR PASSED TO A THIRD PARTY WITHOUT WRITTEN CONSENT FROM R&G LIMITED.

CHECKED	DATE	D. PUGH
DRAWN	DATE	10-10-2017

TOLERANCE UNLESS OTHERWISE STATED	±5
DIMENSIONS IN	MM
SCALE	1:2 @ A1

MATERIAL	ALUMINIUM + GLASS
FINISH	POLYESTER POWDER COATING RAL T.B.C

REV	AMENDMENTS	SIGNED	CHECKED	DATE

Rooflights and Glazing (UK) Limited,  
 UNIT 5 IRONBRIDGE INDUSTRIAL STATE, 397 RETFORD ROAD,  
 SHEFFIELD, S13 9WA. Telephone 0114 4081000. Fax 0114 2385511.  
 E-mail sales@rooflightsandglazing.co.uk

TITLE: THERMALLY BROKEN  
FIXED FLATGLASS

**ROOFLIGHTS & GLAZING**

DRAWING NO: RG-80-500  
SHEET 1