

KERB DETAILS SHOWN INDICATIVE ONLY. DETAILED DESIGN BY OTHERS

NOTES

X No. REQUIRED

GLASS SPEC:  
 OUTER : 6mm CLEAR HST TOUGHENED GLASS  
 CAVITY : 16mm ARGON FILLED + WARM EDGE SPACER  
 INNER : 6mm CLEAR HST TOUGHENED GLASS + LOW E COATING  
 SILICONE BONDED

LIGHT TRANSMISSION = 78 %  
 CENTRE PANE U VALUE = 1.1 W/m<sup>2</sup>.K  
 SOLAR G VALUE = 0.63  
 ACOUSTIC REDUCTION = 35 Rw dB  
 WEIGHT = 56 KG/m<sup>2</sup>

ROOFLIGHT ORDER SIZE = OVERALL FINISHED AND WEATHER KERB DIMS.  
 GLASS BONDED TO FRAME WITH GLAZING SECURITY TAPE.  
 KERB DETAILS SHOWN INDICATIVE DETAILED DESIGN BY OTHERS.  
 MIN. FALL SHOWN TO HELP SHED WATER.

PRODUCT U-VALUE = AS LOW AS 1.4 W/m<sup>2</sup>.K (u-values are size dependant)

24v DC MOTORS. UNIT SUPPLIED WITH TOUCHPOINT TRANSFORMER SWITCH PLUS REMOTE FOB. ELECTRICAL COMMISSIONING BY OTHERS.

MAXIMUM EXTERNAL KERB SIZE 1.2m x 2m. MAX KERB PITCH 5°.

WITH ANNEALED GLASS, KERBS TO BE 130mm THICK MAXIMUM.

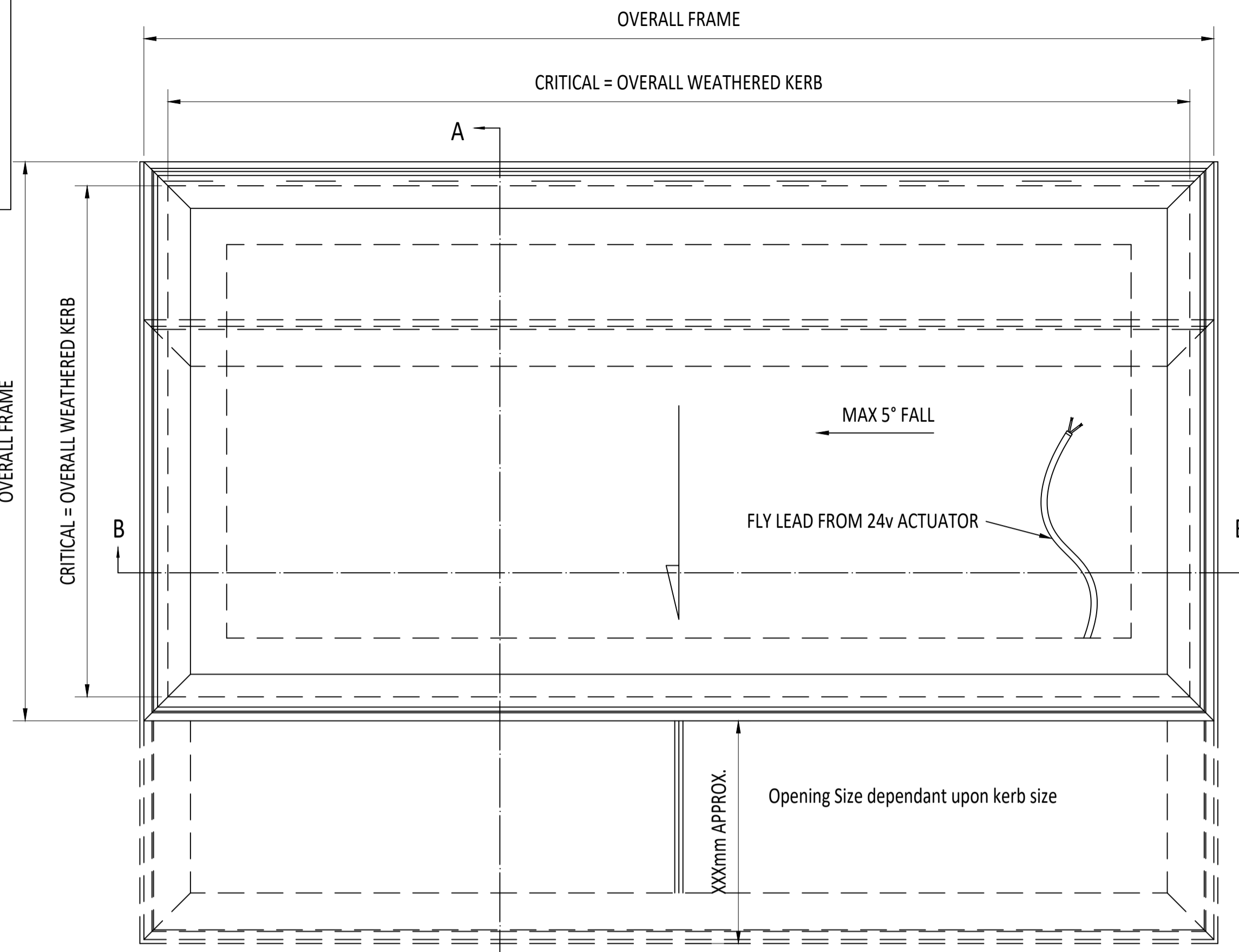
DESIGN LOADS: 750N/m<sup>2</sup> WIND 640N/m<sup>2</sup> SNOW AS STANDARD  
 OTHER LOADS TO BE SPECIFIED BY CLIENT.

**CDM :HAZARD IDENTIFICATION - HANDLING MATERIALS**

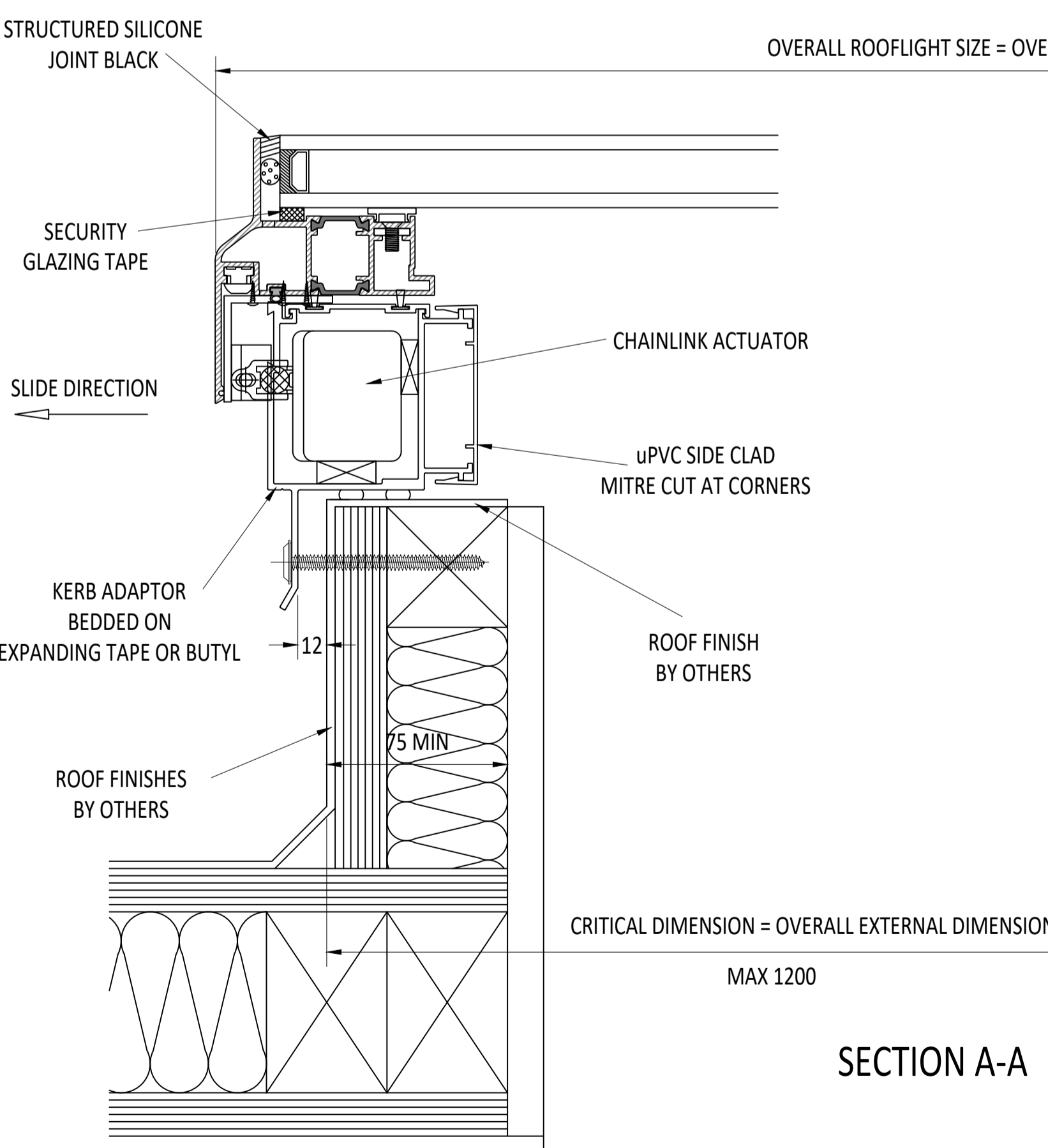
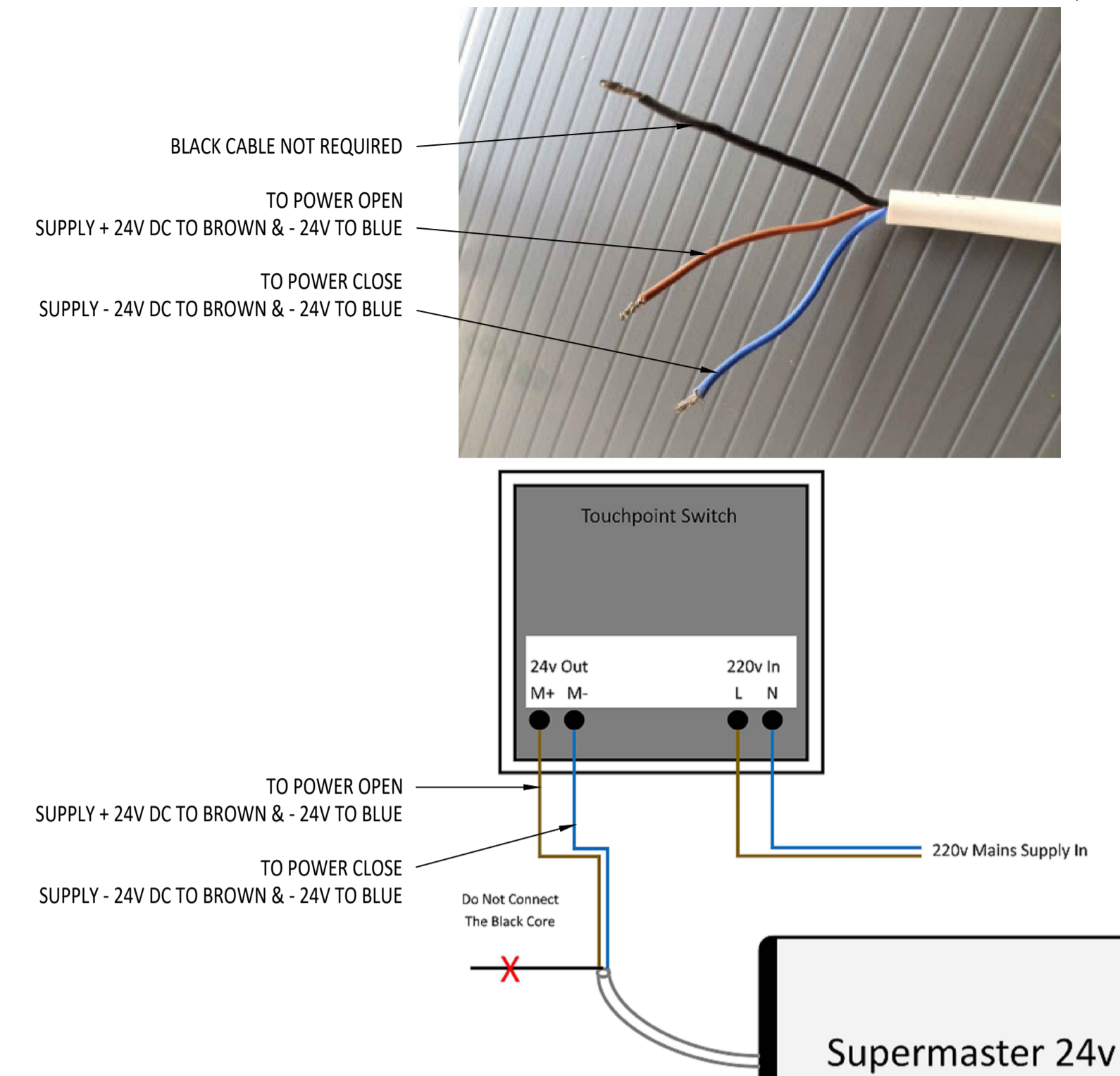
BE AWARE OF SHARP EDGES AND CORNERS WHEN HANDLING MATERIALS. MOST EDGES AND CORNERS WILL BE DEBURRED BUT THERE IS STILL A SMALL RISK.WEAR APPROPRIATE PPE REQUIRED FOR THE TASK.  
 THE MHOR 1992 SET OUT A CLEAR RANKING OF MEASURES FOR DEALING WITH RISKS FROM MANUAL HANDLING, THESE ARE:

- FIRST : AVOID HAZARDOUS MANUAL HANDLING OPERATIONS SO FAR AS IS REASONABLY PRACTICABLE;
- SECOND : ASSESS ANY HAZARDOUS MANUAL HANDLING OPERATIONS THAT CANNOT BE AVOIDED; AND
- THIRD : REDUCE THE RISK OF INJURY SO FAR AS IS REASONABLY PRACTICABLE.

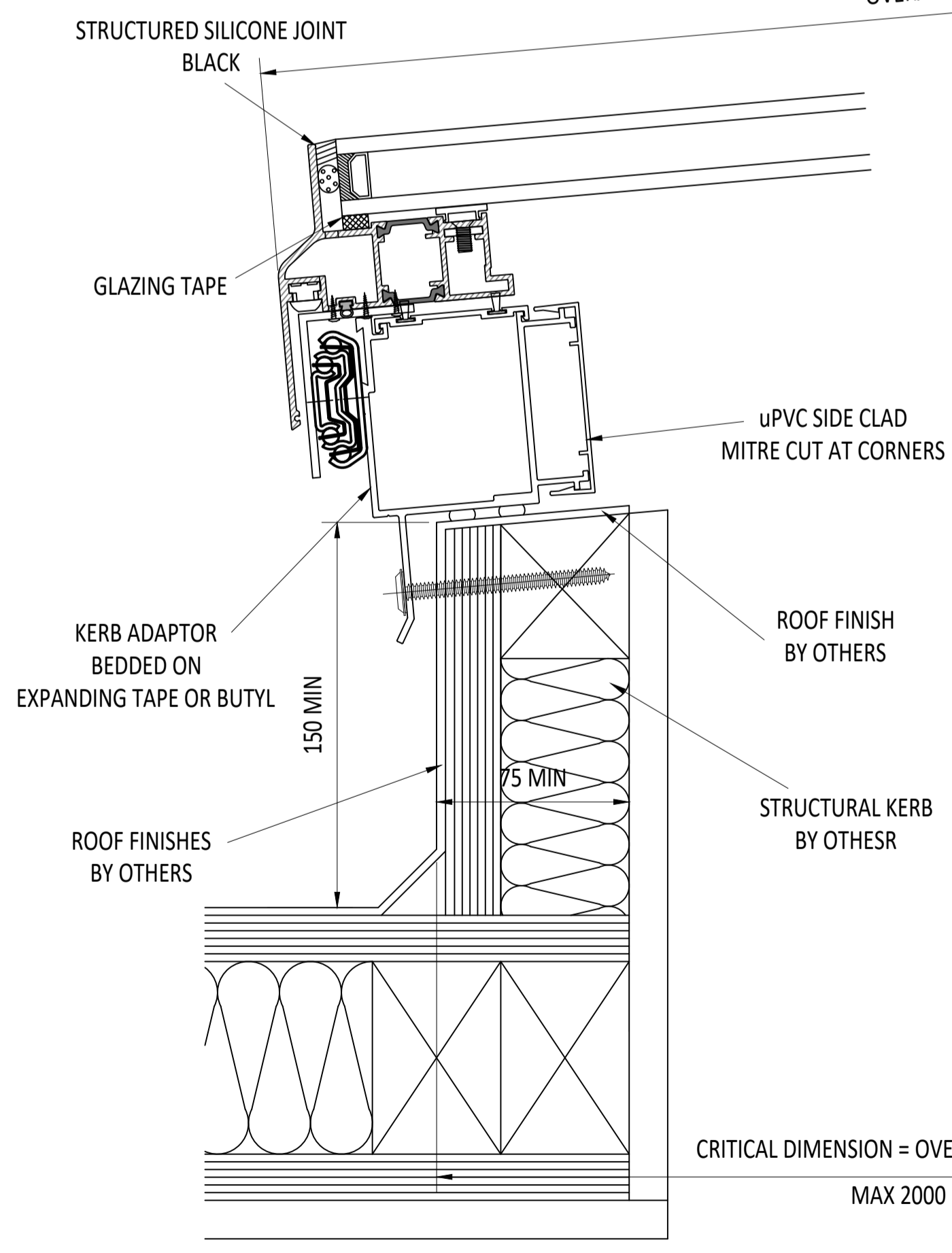
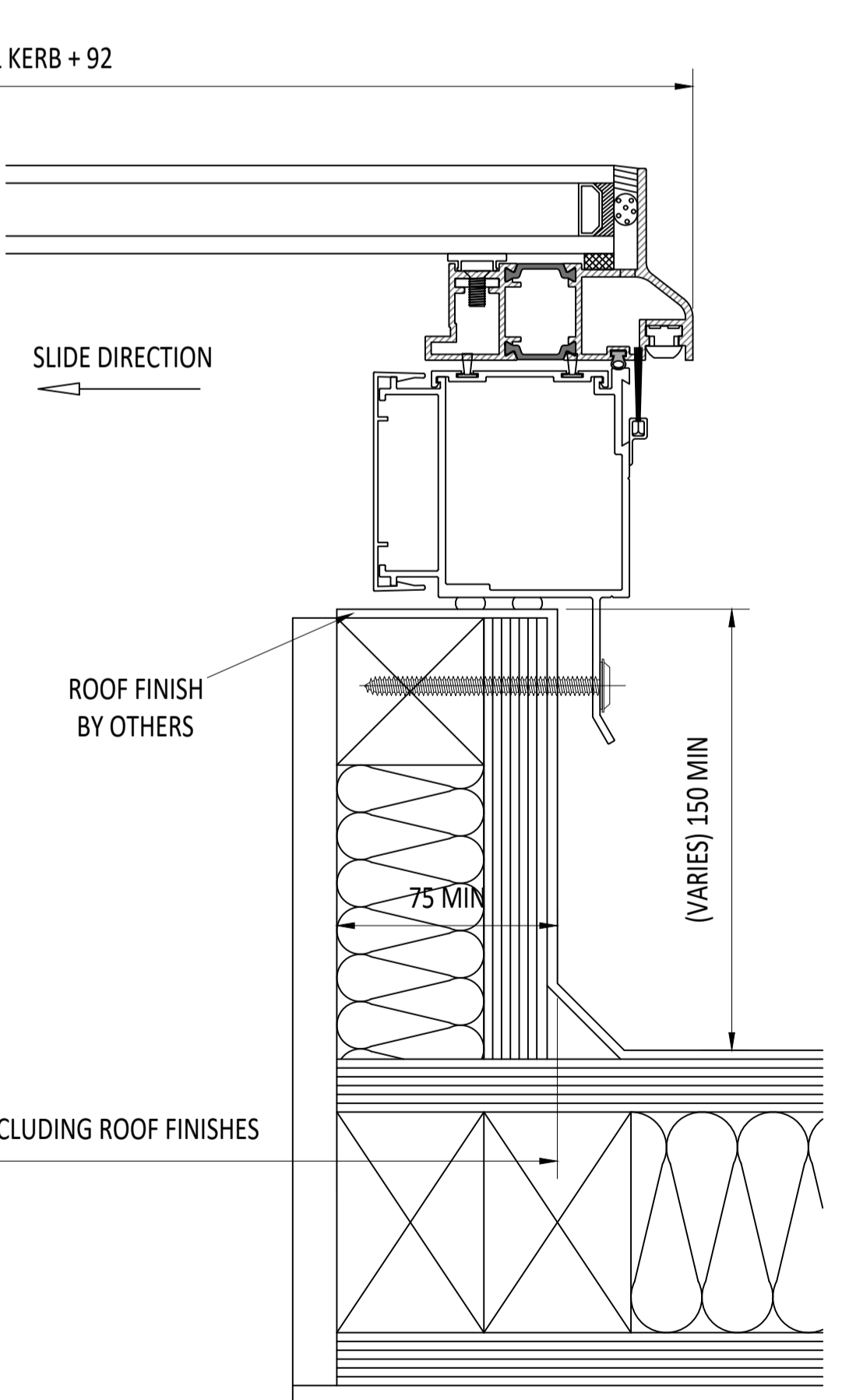
HAND PROTECTION (MANDATORY) TO: BS EN 388:1994.  
 REFER TO RISK ASSESSMENT FOR FURTHER DETAILS  
 ROOFLIGHTS MUST ONLY BE INSTALLED BY COMPETENT CONTRACTORS.  
 DANGER OF DAMAGING GLASS IF IT IS WALKED UPON. GLASS IS CLASSED AS NON-FRAGILE BUT SHOULD NOT BE WALKED ON. USE SPREADER BOARDS



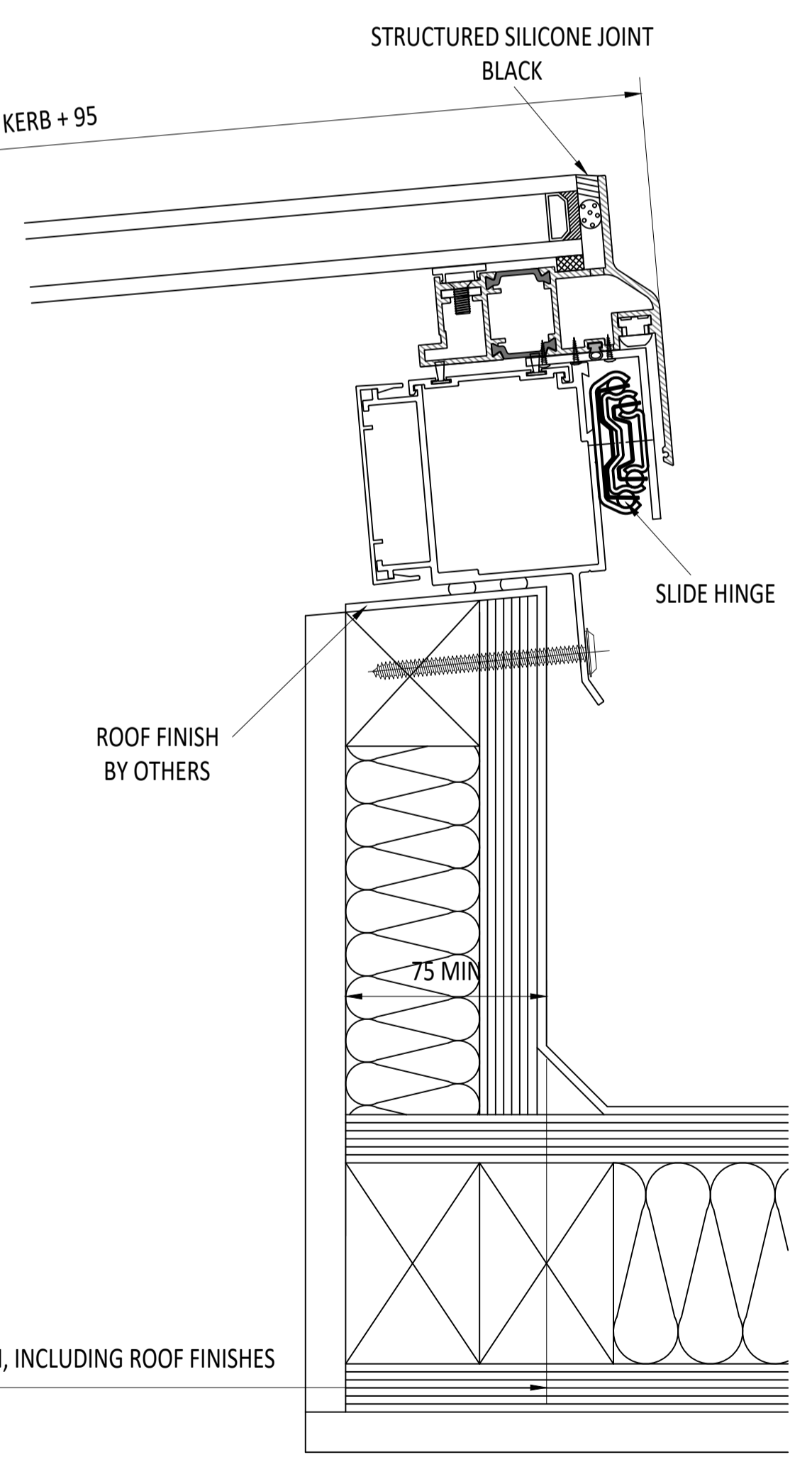
PLAN VIEW  
 TRUE VIEW ON SLOPE FROM OUTSIDE



SECTION A-A



SECTION B-B



IF IN DOUBT ASK  
 DO NOT SCALE

IT IS THE RESPONSIBILITY OF THE KERB DESIGNER TO ENSURE THE KERB WILL BE STRUCTURALLY ADEQUATE TO HOLD THE ROOFLIGHT. KERBS SHOWN ON ROOFLIGHTS & GLAZING DRAWINGS ARE FOR ILLUSTRATION PURPOSES ONLY.

Rooflights & Glazing would advise an installation with a minimum pitch of 5° for rooflight units to minimize water pooling. Whilst the product can be installed flat without detriment to the warrantee, Rooflights & Glazing cannot be held responsible for any excessive pooling of water to the surface of the rooflight post installation, if installed without an adequate fall.

THIS DRAWING MUST NOT BE COPIED OR PASSED TO A THIRD PARTY WITHOUT WRITTEN CONSENT FROM ROOFLIGHTS & GLAZING.

CHECKED C. MITCHELL  
 DATE 12-06-2018  
 DRAWN D. PUGH  
 DATE 12-06-2018

TOLERANCE UNLESS OTHERWISE STATED ±5  
 MATERIAL ALUMINIUM + GLASS  
 FINISH POLYESTER POWDER COATING COLOUR T.B.C.

REV	AMENDMENTS	SIGNED	CHECKED	DATE

Rooflights and Glazing,  
 Unit 5, Ironbridge Industrial Estate, 397 Relford Road, Sheffield, S13 9WA  
 Telephone 0114 408 1000  
 Fax 0114 238 5511.

**ROOFLIGHTS & GLAZING** Helping Daylight do its work!

TITLE: 24v SLIDING ELECTRICALLY HINGED FOR VENTILATION TOUGH/ TOUGH

DRAWING N°: RGR-80-20-303  
 SHEET 1 OF 1