

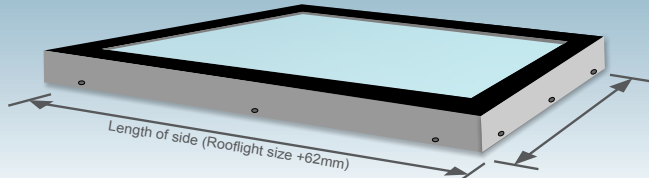


Warning!
Flat glass units are heavy.
Some units may require up to 12 persons to lift



Contents

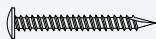
1 Please unpack and check that all correct parts are included and undamaged.



With this assembly, you will receive:

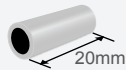
Side Fixing Screws

Upstand Fastener



2 Types of Metal Sleeves

LARGE Metal Sleeve



SMALL Metal Sleeve



EPDM Sealing Washers



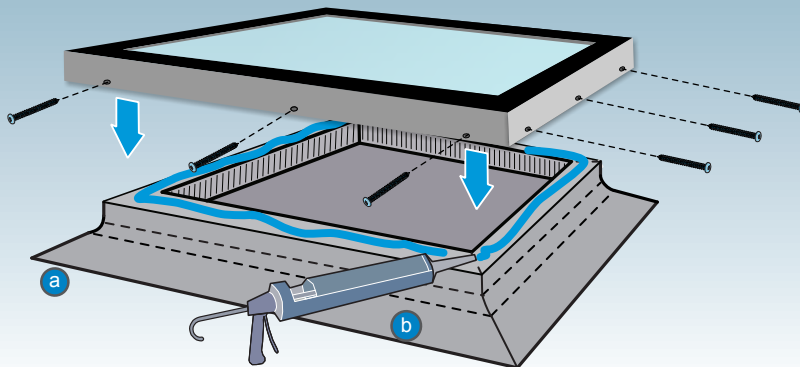
Fixing Quantities

Length of Nominal Dome Side (mm)	Number of fixings per side
600, 750	2
900, 1050, 1200	3
1350, 1500, 1650	4
1800, 1950	5
2100, 2250	6
2400	7

(All fixings supplied in packs of 5.)

Installation

⚠ Please note that all Health and Safety Regulations must be followed on site throughout the installation process.



Installation Instructions

a Install roof covering to cover existing upstand in accordance with manufacturer's installation recommendations.

Ⓞ N.B. It is important that there should be no excessive build up of layers, the top surface should be level and free from any protrusions or projections which may prevent adequate weather proofing.

b Mastic/Silicone around the edge of the upstand opening and correctly place unit, ensuring it is located squarely to the upstand.

c Determine the overhang length between upstand and outside of frame. **Ensure the overhang is equal around the entire unit.**

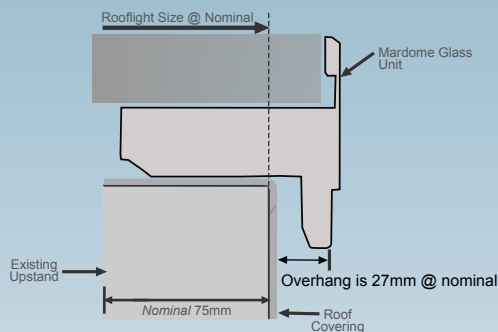
Select the correct metal sleeve length based on the overhang measurement. This depends on tolerance of upstand.

d Place the metal sleeve over the fastener, then slide the fastener and sleeve through the frame holes. **BEFORE SCREWING** in the fastener, place the washer over the end of the fastener, between the frame and upstand.

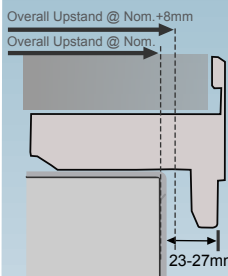
e Ensure the head of the fastener is sitting flush with the outer part of the aluminium frame +/-2mm and that the fastener is fully tightened to compress the sealing washer.

Fixing to Upstand

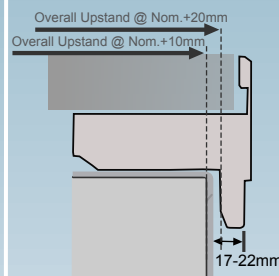
NOTE: Upstand external dimensions for this unit are: Nominal Rooflight size +20mm/-0mm



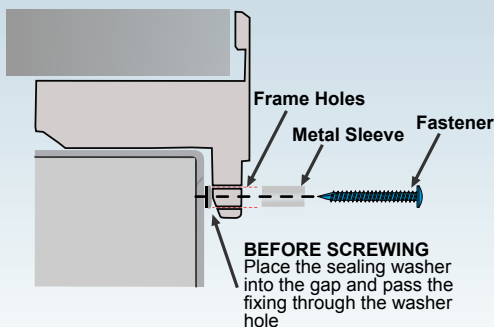
c Use **LARGE** metal sleeve if overhang is between 23-27mm:



Use **SMALL** metal sleeve if overhang is between 17-22mm:

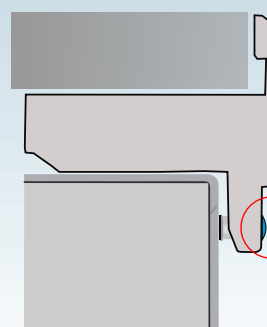


Place the fastener into the metal sleeve and through the frame holes



d

e



AFTER INSTALLATION

- 1) The sleeve should be compressing the washer against the roof covering
- 2) The head of the fastener should be flush with the outside of the frame +/-2mm

Ⓞ TECHNICAL SUPPORT: For any technical information/queries please contact your supplier.

Brett Martin Daylight Systems operates a policy of continuous product improvement, and reserves the right to alter specifications at any time without notice. Every effort has been taken to ensure all details contained in this document are correct at the time of going to press but this document should be used only as a guide and does not in any way form part of a contract or warranty. It is the customer's responsibility to ensure that the product is suitable for the actual conditions of use, which are beyond the control of Brett Martin Daylight Systems.