

NOTES

X No. REQUIRED

GLASS SPEC:
 OUTER : 6mm CLEAR HST TOUGHENED GLASS
 CAVITY : 20mm ARGON FILLED + WARM EDGE SPACER
 INNER : 6mm CLEAR HST TOUGHENED GLASS + LOW E COATING
 SILICONE BONDED

LIGHT TRANSMISSION = 78 %
 CENTRE PANE U VALUE = 1.1 W/m².K
 SOLAR G VALUE = 0.63
 ACOUSTIC REDUCTION = 35 Rw dB
 WEIGHT = 55 KG/m²

ROOFLIGHT ORDER SIZE = OVERALL FINISHED AND WEATHER KERB DIMS.

GLASS BONDED TO FRAME WITH GLAZING SECURITY TAPE.

KERB DETAILS SHOWN INDICATIVE DETAILED DESIGN BY OTHERS.

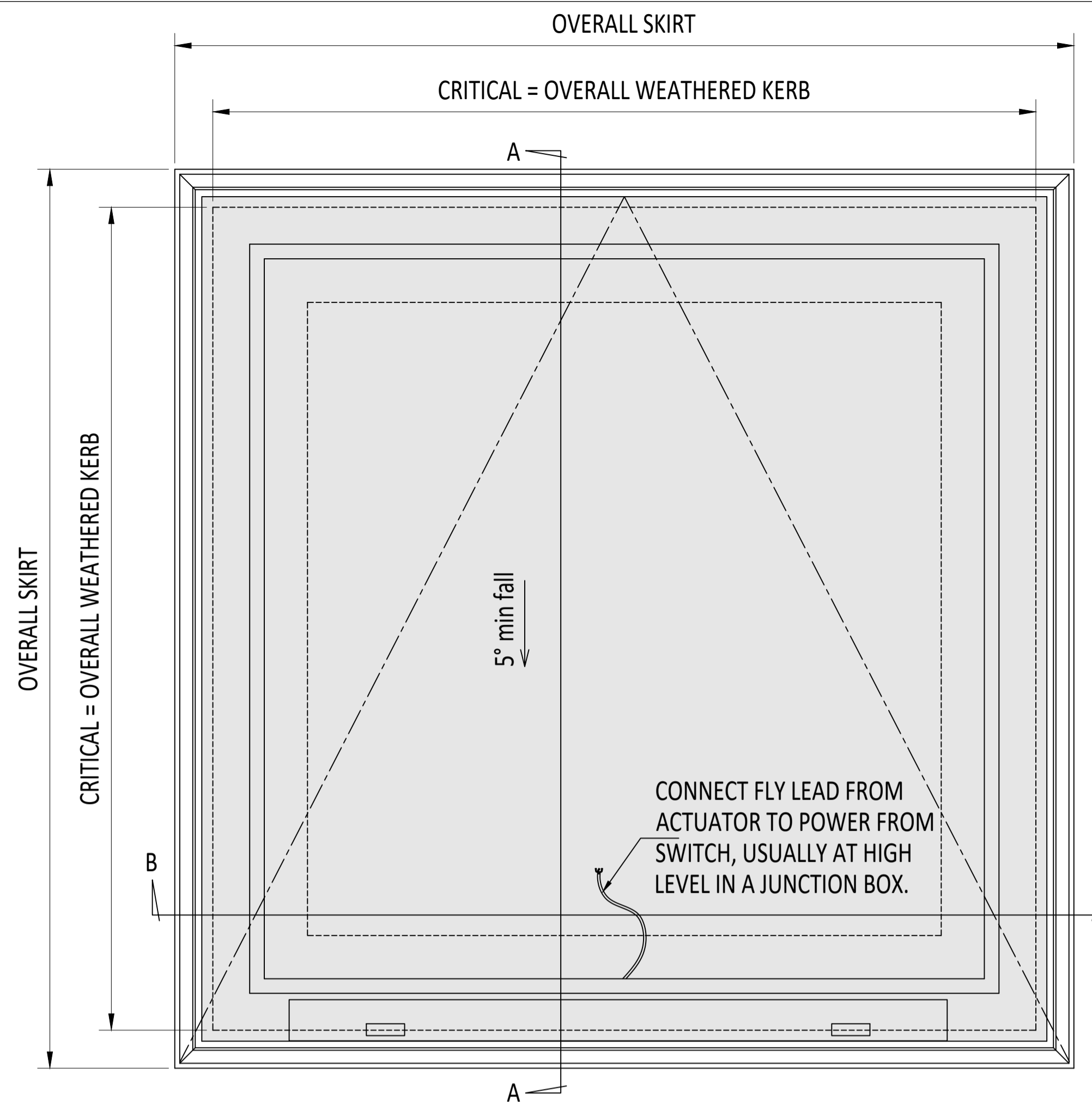
MIN. FALL SHOWN TO HELP SHED WATER. LARGER UNITS WILL REQUIRE GREATER PITCHES. INSTALLER DISCRETION REQUIRED.

PRODUCT U-VALUE = AS LOW AS 1.4 W/m².K (u-values are size dependant)

CHAIN STROKE SET 300mm AS STANDARD. TRANSFORMER WALL SWITCH SUPPLIED AS STANDARD. POWERED BY 24v CHAINLINK ACTUATORS, ALL ELECTRICAL COMMISSIONING BY OTHERS. OTHER SWITCH OR CONTROL OPTIONS, SUCH AS REMOTE OPERATION, AVAILABLE UPON REQUEST.

DESIGN LOADS: 750N/m² WIND 640N/m² SNOW AS STANDARD
 OTHER LOADS TO BE SPECIFIED BY CLIENT.

KERB DETAILS SHOWN INDICATIVE ONLY. DETAILED DESIGN BY OTHERS



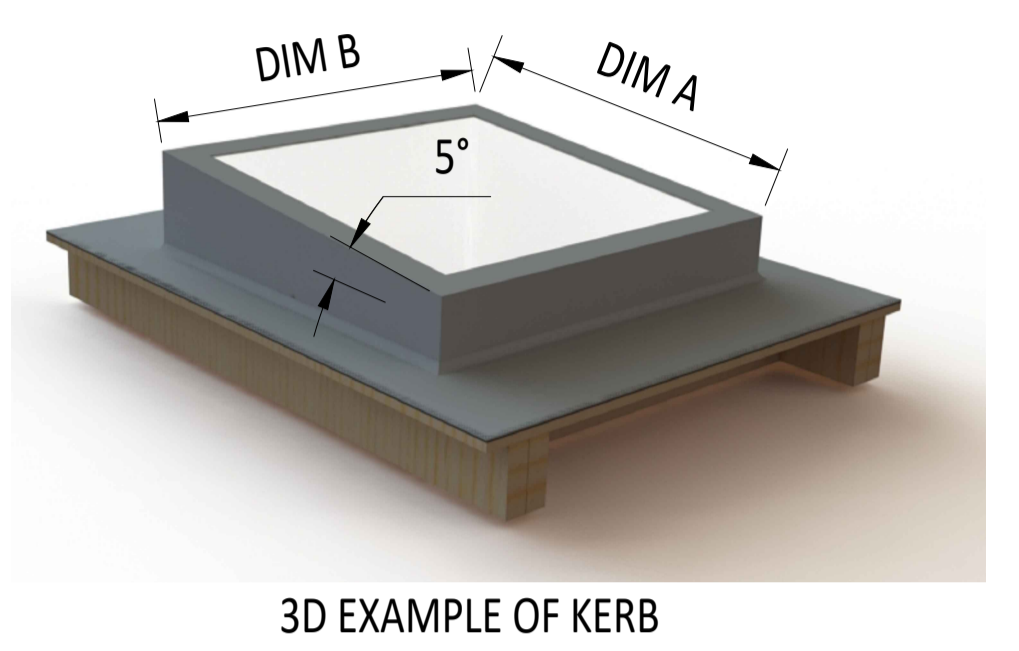
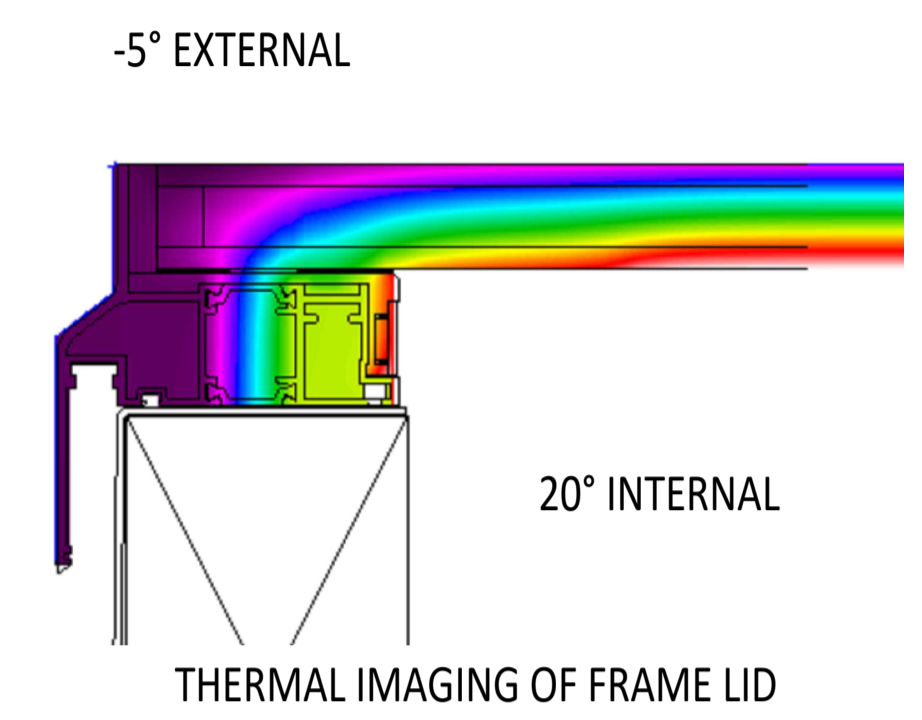
PLAN VIEW
TRUE VIEW ON SLOPE

CDM -HAZARD IDENTIFICATION - HANDLING MATERIALS

BE AWARE OF SHARP EDGES AND CORNERS WHEN HANDLING MATERIALS. MOST EDGES AND CORNERS WILL BE DEBURRDED BUT THERE IS STILL A SMALL RISK. WEAR APPROPRIATE PPE REQUIRED FOR THE TASK. THE MHOR 1992 SET OUT A CLEAR RANKING OF MEASURES FOR DEALING WITH RISKS FROM MANUAL HANDLING. THESE ARE:

- FIRST: AVOID HAZARDOUS MANUAL HANDLING OPERATIONS SO FAR AS IS REASONABLY PRACTICABLE;
- SECOND: ASSESS ANY HAZARDOUS MANUAL HANDLING OPERATIONS THAT CANNOT BE AVOIDED; AND
- THIRD: REDUCE THE RISK OF INJURY SO FAR AS IS REASONABLY PRACTICABLE.

HAND PROTECTION (MANDATORY) TO: BS EN 388:1994.
 ROOFLIGHTS MUST ONLY BE INSTALLED BY COMPETENT CONTRACTORS.
 DANGER OF DAMAGING GLASS IF IT IS WALKED UPON. GLASS IS CLASSED AS NON-FRAGILE BUT SHOULD NOT BE WALKED ON. USE SPREADER BOARDS.
 REFER TO RISK ASSESSMENT FOR FURTHER DETAILS.



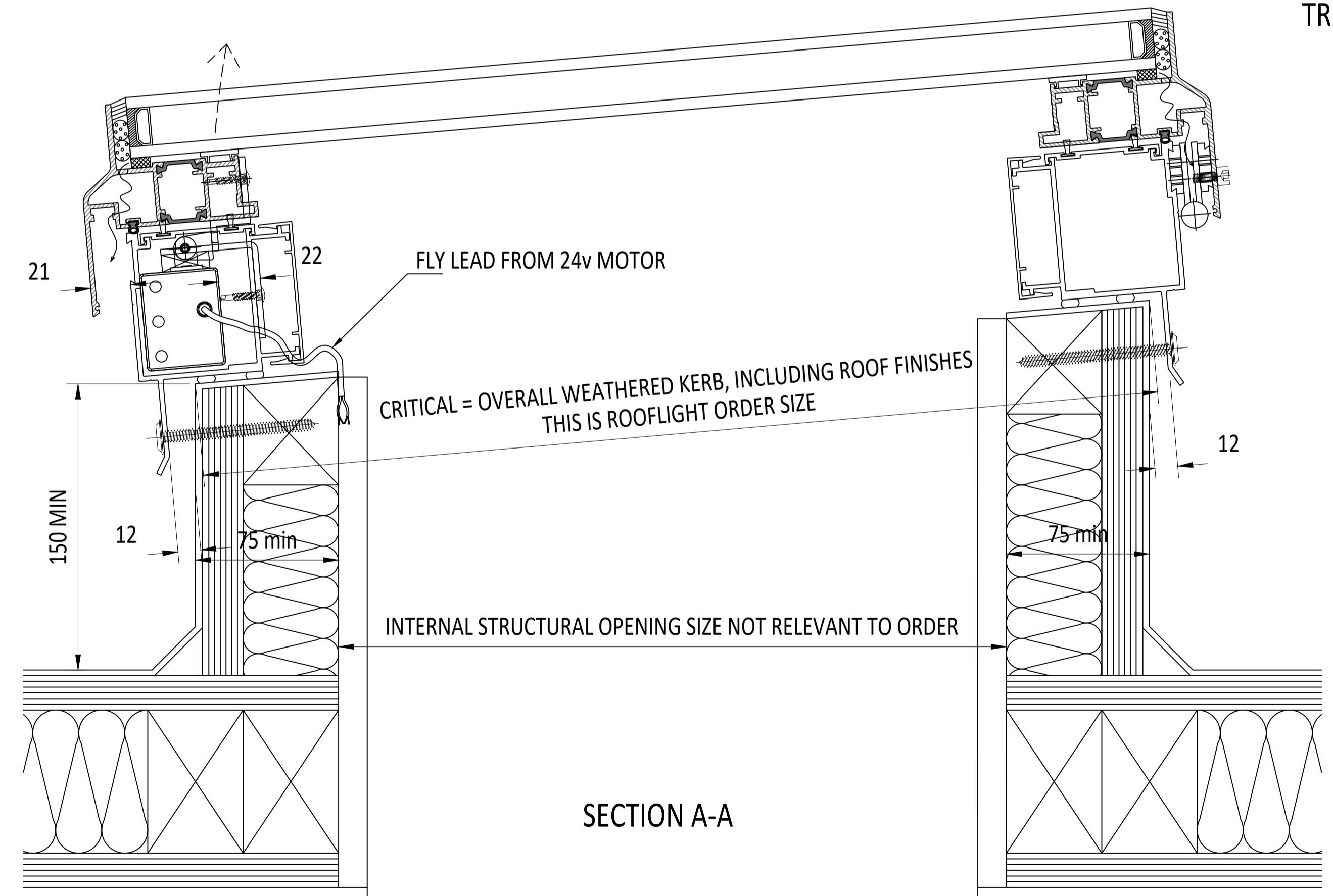
MANUAL SWITCH
COMES AS STANDARD

REMOTE FOB
OPTIONAL

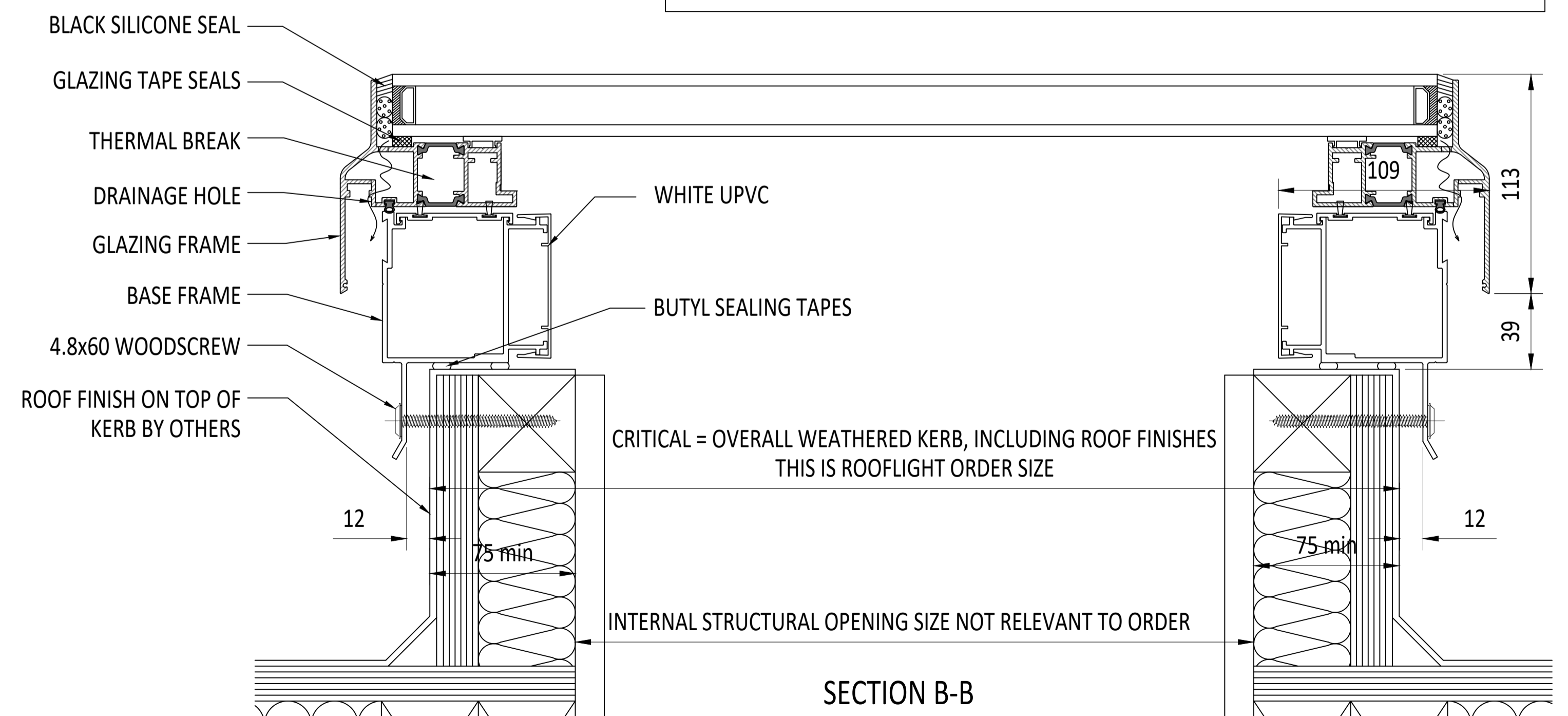
24v ACTUATOR WITH TRANSFORMER SWITCH OPTIONS: WIRED OR WIRELESS RAIN SENSOR

- MANUAL WALL SWITCH (STANDARD)
- REMOTE CONTROL WITH WALL SWITCH + RAIN SENSOR
- CONTROL PANEL WITH RAIN SENSOR
- WIND SENSOR + RAIN SENSOR ALSO AVAILABLE WITH CONTROL PANEL

OPTIONAL



SECTION A-A



SECTION B-B

IF IN DOUBT ASK DO NOT SCALE	IT IS THE RESPONSIBILITY OF THE KERB DESIGNER TO ENSURE THE KERB WILL BE STRUCTURALLY ADEQUATE TO HOLD THE ROOFLIGHT. KERBS SHOWN ON THESE DRAWINGS ARE FOR ILLUSTRATION PURPOSES ONLY.	THE MANUFACTURER would advise an installation with a minimum pitch of 5° for rooflight units to minimize water pooling. Whilst the product can be installed flat without detriment to the warranty, THE MANUFACTURER cannot be held responsible for any excessive pooling of water to the surface of the rooflight post installation, if installed without an adequate fall.	THIS DRAWING MUST NOT BE COPIED OR PASSED TO A THIRD PARTY WITHOUT WRITTEN CONSENT FROM THE MANUFACTURER.	CHECKED	A. PHILLIPS	TOLERANCE UNLESS OTHERWISE STATED ±5	MATERIAL ALUMINIUM + GLASS	FINISH POLYESTER POWDER COATING RAL T.B.C, 70% GLOSS	REV	AMENDMENTS	SIGNED	CHECKED	DATE	Rooflights and Glazing, Unit 5, Ironbridge Industrial Estate, 397 Retford Road, Sheffield, S13 9WA Telephone 0114 408 1000 Fax 0114 238 5511. TITLE: 24v ELECTRICALLY HINGED FOR VENTILATION TOUGH/TOUGH DOUBLE GLAZED A1 DRAWING N° RGR-80-20-300 SHEET 1
				DATE	28-03-2019				DIMENSIONS IN	MM				
				DRAWN	D. PUGH				SCALE	1:2 @ A1				

ROOFLIGHTS & GLAZING Helping Daylight do its work!