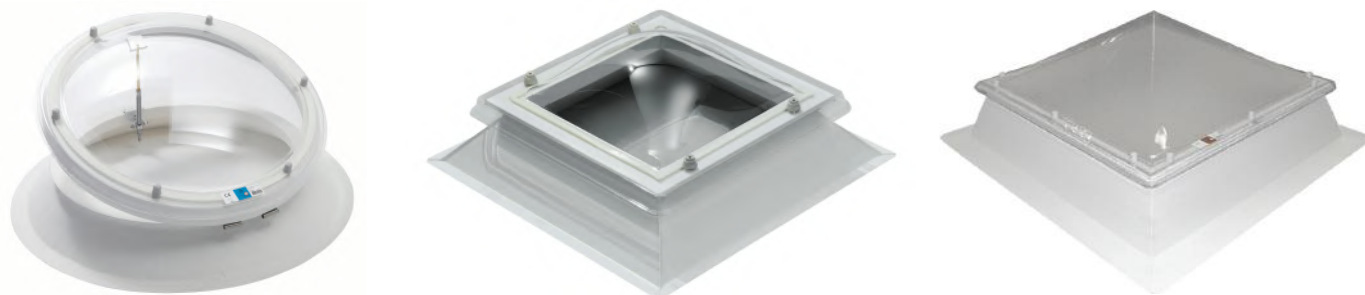


COXDOME TRADE RANGE



The high quality, cost-effective, universal 'out-of-plane' rooflight system

COXDOME TRADE RANGE

- Manufactured to European Standards and CE marking to EN 1873
- Manufactured from extruded white PVC-u
- Choice of 150mm splayed, or 160mm vertical upstands in UV-stable white PVC-u
- Available in single, double, triple or quadruple skin polycarbonate, impact resistant glazing in spherical or pyramidal specifications
- Excellent waterproofing properties when fitted to manufacturer's instructions
- High security fixings as standard
- Glazing available in clear, diffused, opal or cool & clear

SUMMARY OF BUILDING REGULATIONS FOR GLAZING

Non-fragility ACR(M)001:2014 – 'Test for the Fragility of Profiled Sheet Roofing Assemblies'

All trade domes are classified to Class B Non-Fragile according to ACR(M)001:2014 and when tested, demonstrated full compliance with EN 1873 soft body test, based on an impact of 1200 Joules.

Fire Classification EN 13501-1 – 'Fire test to Building Material – Classification'

All trade rooflights are manufactured using minimum 3mm polycarbonate. According to EN 13501-1, this achieves B-s1-d0 and therefore attains Class 1 certification. TP(a) is realised with a solid polycarbonate sheet minimum 3mm thick.

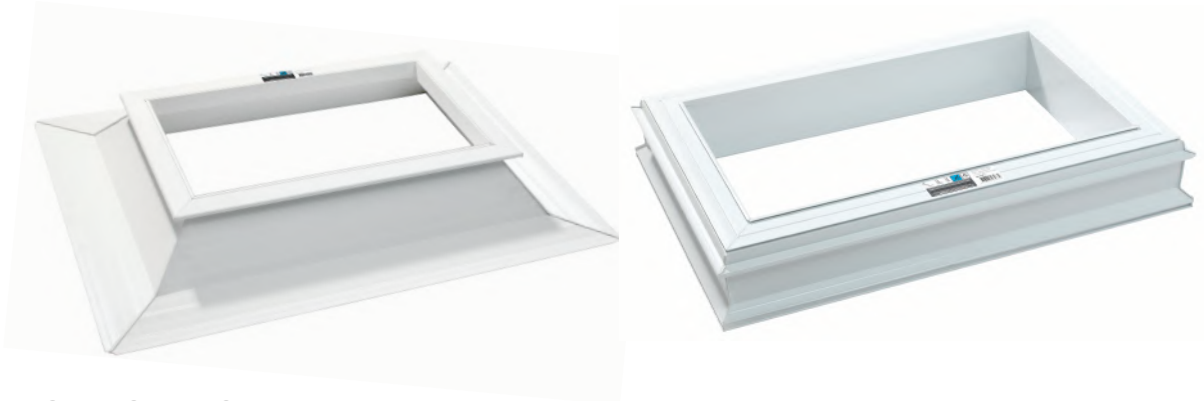
DOMES, CIRCULAR AND PYRAMID/TRAPEZOID GLAZING

	Glazing	Light Transmission	'G' Value Solar Heat Gain	'Ud' Value	Sound Reduction (dB)	Fire classification	Impact Resistance
SINGLE							
	Clear	88%	82%	5.0 W/m ² K*	12dB	1-3mm: B-s1-d0	> 200 N/mm ²
	Diffused	77%	67%				
	Opal	44%	51%				
	Cool & Clear	48%	36%				
DOUBLE							
	Clear	77%	67%	2.6W/m ² K*	20dB	1-3mm: B-s1-d0	> 200 N/mm ²
	Diffused	77%	67%				
	Opal	44%	51%				
	Cool & Clear	48%	36%				
TRIPLE							
	Clear	71%	57%	1.7W/m ² K*	22dB	1-3mm: B-s1-d0	> 200 N/mm ²
	Diffused	71%	57%				
	Opal	62%	52%				
	Cool & Clear	45%	31%				
QUADRUPLE							
	Clear	66%	49%	1.3W/m ² K*	23dB	1-3mm: B-s1-d0	> 200 N/mm ²
	Diffused	66%	49%				
	Opal	57%	45%				
	Cool & Clear	41%	26%				

*U-values calculated according to EN 1873 and based on a 1800x1800mm domelight. Sound reduction (dB) according to DIN52210.

*Fire classification according to BS EN 15301:1 2007.

UPSTANDS





COXDOME TRADE RANGE UPSTANDS

Coxdome Trade Range upstands provide a watertight thermal break between the finished roof and the rooflight. They often offer a more thermally efficient solution to the standard builder's kerb and help improve the overall U-value of the unit.

TECHNICAL SPECIFICATION

- Available in splayed 150mm (SF15) and vertical 160mm (RO16)
- High-impact resistant PVC-u
- Completely recyclable
- Manufactured to latest environmental standards
- Double-walled and watertight welded
- UV-stable, ensuring brilliant white finish and avoiding need for decoration
- Compatible with most flat roof membranes including single ply, GRP, hot melt, asphalt, liquid and lead

	Height	Material	Profile Width	'U' Value	Fire Resistance
SF15					
	150mm	PVC-u	25mm	1.8 W/m ² K	D-s3-d1
RO16					
	160mm	PVC-u	65mm	0.2 W/m ² K Without insulation 1.0 W/m ² K	D

VENTILATION

BACKGROUND VENTILATION

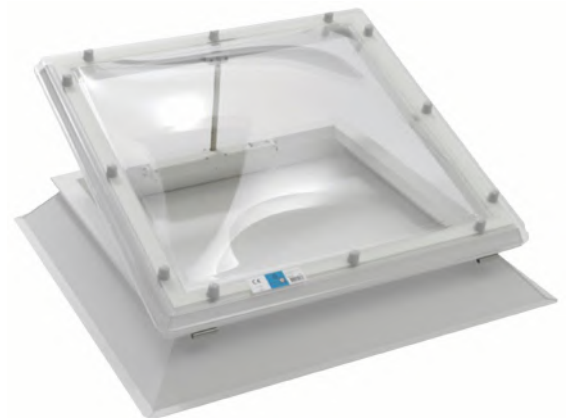
Background ventilation is available with the Trade Range in two options:

PERMANENT VENTILATION

In hard-to-access areas, or where security is a primary consideration, 'non-controllable' permanent ventilation offers continuous ventilation around the perimeter of the dome. Spacers are inserted between the factory assembled polycarbonate dome and the upstand. The shaped lip on the edge of the outer skin is engineered for maximum weathering and prevents water ingress.

HIT AND MISS VENTILATION

This is offered by means of a controllable trickle ventilator; airflow is afforded by the use of adjustable tumblers. Internal and external parts are constructed from moulded PVC-u and can be fitted to just two sides, or all four sides, of any of the upstand options.*



HIT AND MISS VENTILATION PERFORMANCE DATA

Vent Type	EQA (Equivalent Area)	Geometric Free Area
2000 + Hood + Grill	1360mm ²	2000mm ²
4000 + Hood + Grill	2580mm ²	4000mm ²

*Whilst controllable ventilation can be fitted to a 150mm upstand, please note that BS6229:2003 – 'Code of practice for flat roofs with continuously supported coverings', outlines that the waterproofing upstand detail should terminate at least 150mm above the uppermost roof surface, to which the roof covering is bonded or dressed.

VENTILATION OPTIONS

Ventilation is the process of changing or replacing air in any space to provide high indoor air quality. It is often the link between our internal space and the outdoor elements. The correct relationship between insulation, heating, solar gain and ventilation must be achieved in order to provide a pleasant comfortable and productive indoor space.

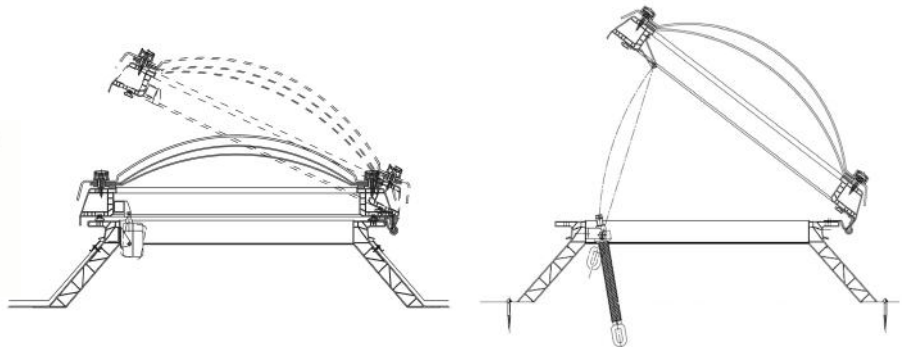
With this in mind, the Trade Range is available with the following options:

- Hinged opening domes are available either manually or electronically operated
- The manual option is supplied with a spindle gear and is operated from floor level using a winding pole; maximum ventilation is approximately 300mm
- The electronic option uses a chain link actuator and is operated from a 240V power supply
- Maximum ventilation is approximately 400mm, with optional intermediary positions at 100mm, 200mm and 300mm

ACCESSORIES

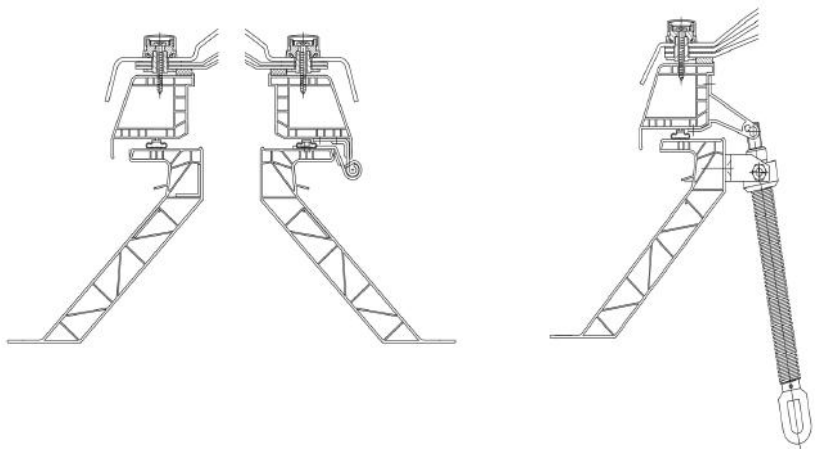
MANUAL HINGE

- Winding Rod



ELECTRIC HINGE

- Remote Control
- Wind, rain and temperature sensors



TRADE RANGE - CIRCULAR



The attractive modern glazing solution that adds character to any interior space

COXDOME CIRCULAR

Coxdome Circular is available in a range of sizes with double, triple or quadruple skins.

Manufactured with a double layer Glass Reinforced Plastic (GRP) and polyurethane insulation, the upstands are compatible with most roofing materials.

TECHNICAL SPECIFICATION

- Spherical glazing available in clear, diffused, opal or cool & clear
- Hinged opening domes are available either manually or electronically operated
- The manual option is supplied with a spindle gear and is operated from floor level using a winding pole; maximum ventilation is approximately 300mm
- The electronic option uses a chain link actuator and is operated from a 240V power supply
- Maximum ventilation is approximately 400mm, with optional intermediary positions at 100mm, 200mm and 300mm



NOTE: Hit and Miss background ventilation is not available in the Circular range. Background ventilation is by means of permanent ventilation only.

	Material	Profile Width	U' Value	Fire Resistance
150mm				
	GRP	10mm	1.6 W/m ² K	Class E
300mm				
	GRP	20mm	0.95 W/m ² K	Class E
500mm				
	GRP	20mm	0.95 W/m ² K	Class E

Rooflight Diameter	Opening		Upstand		
	Manual	Hinge	150mm GRP	300mm GRP	500mm GRP
600mm	•	•	•	•	•
700mm	•	•	•	•	•
800mm	•	•	•	•	•
900mm	•	•	•	•	•
1000mm	•	•	•	•	•
1100mm	•	•	•	•	•
1200mm	•	•	•	•	•
1400mm	•	•	•	•	•
1500mm	•	•	•	•	•
1800mm	•	•	•	•	•
2000mm	•	•	•	•	•
2200mm	•	•	•	•	•