

Typical Glazing Specification:  
 Outer - 3mm thick clear UV protected polycarbonate  
 Mid - 2mm thick clear polycarbonate  
 Inner - 2mm thick clear or diffused polycarbonate (T.B.C.)

**SF15 ROOFLIGHT SPECIFICATION**

(FABRICATED FROM SELF FINISH WHITE EXTRUDED uPVC)

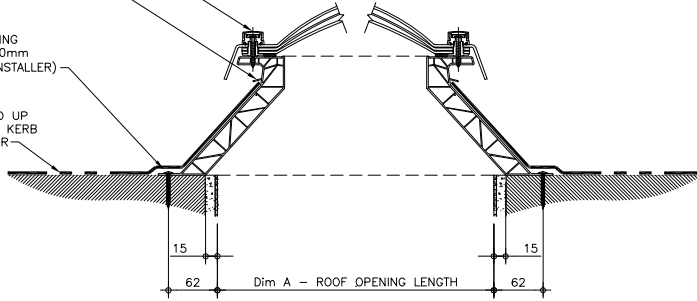
|   |       |
|---|-------|
| Quantity of Rooflight(s)                        | 1no   |
| Roof Opening - Length (mm)                      | Dim A |
| Roof Opening - Width (mm)                       | Dim B |
| Kerb Ventilation?<br>(Hit and miss ventilation) | ✓     |
| Opening Frame?                                  | x     |

TAMPER RESISTANT FIXINGS,  
COMPLETE WITH COVER CAP

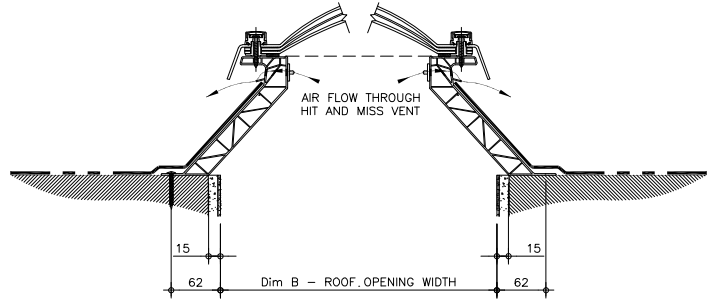
uPVC WEATHER FLANGE; APPLY  
WEATHER PROOFING MEMBRANE TO  
KERB DRESS BEHIND WEATHER FLANGE

X2V KERB SECURED USING  
SUITABLE FIXINGS @ 300mm  
CENTRES (FIXINGS BY INSTALLER)

ROOF FINISHES DRESSED UP  
EXTERNAL FACE OF X2V KERB  
BY ROOFING CONTRACTOR



SECTION THROUGH LENGTH



SECTION THROUGH WIDTH

| REV:   | DATE:    | DESCRIPTION:                | DRN BY:     | DESCRIPTION:   |
|--|----------|-----------------------------|-------------|--|
| 0  | 16.10.19 | First issue of this drawing | IMW         | Hit and miss ventilated splayed uPVC upstand fixed direct to roof, with triple skin polycarbonate dome and tamper resistant fixings. |
| DRAWN BY:  |          | CREATION DATE:              | CHECKED BY: | SCALE(S)   |
| IMW  |          | 16.10.19                    | SS          | 1:5 @ A3   |
| REVISION:  |          |                             |             | 0  |
| <b>Coxdome</b><br>Unit 1, Prothero Industrial Estate, Bilport Lane, Wednesbury, West Midlands, WS10 0NT<br>Tel: 0121 530 4230 Web: www.coxdome.co.uk |          |                             |             | DRG No.<br><b>CD-SF15-C-01-SS</b>  |

